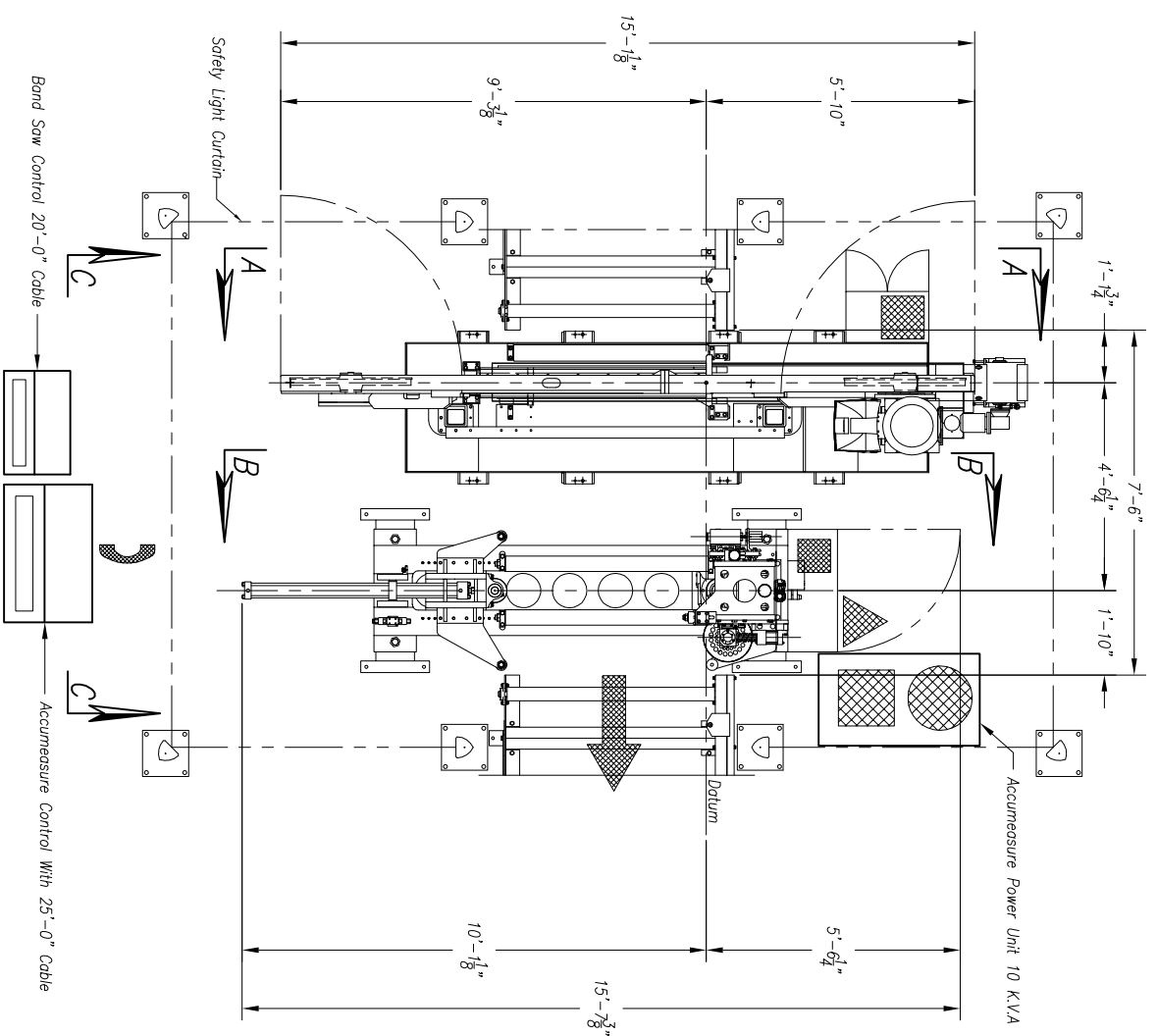
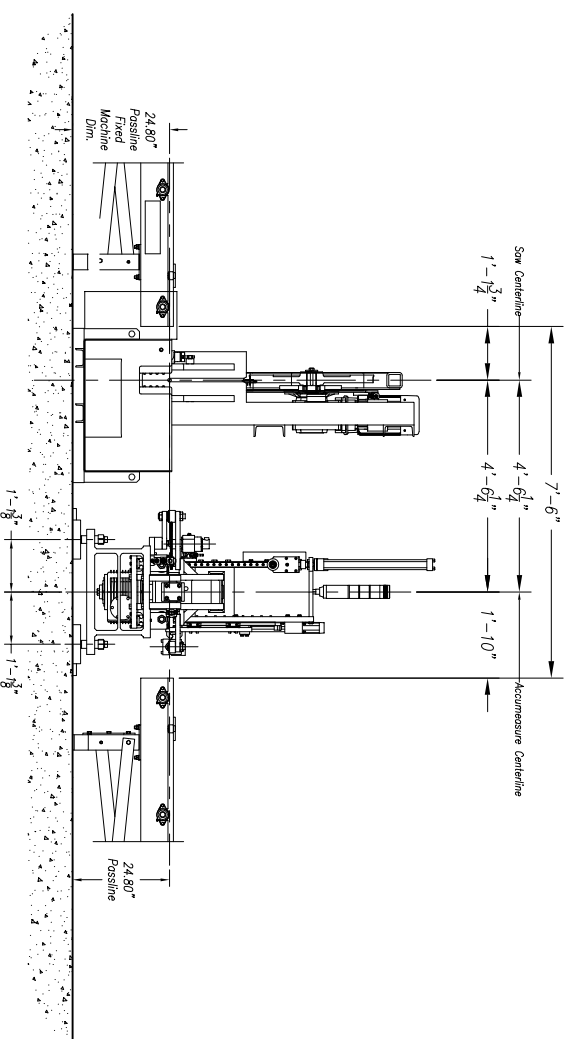
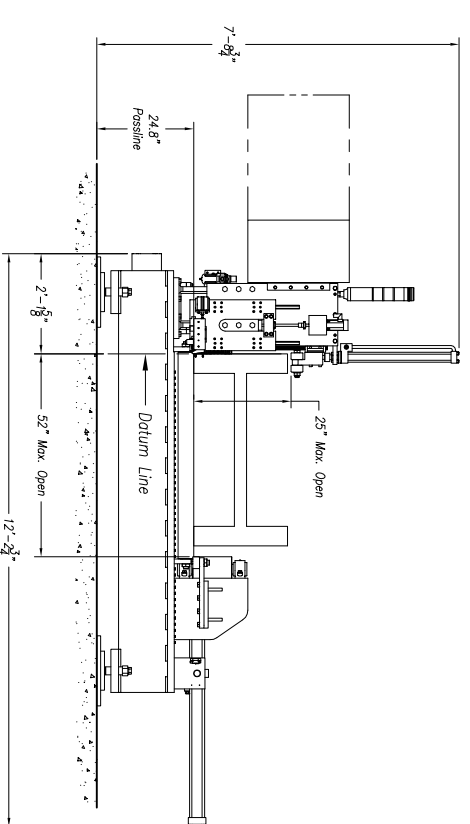
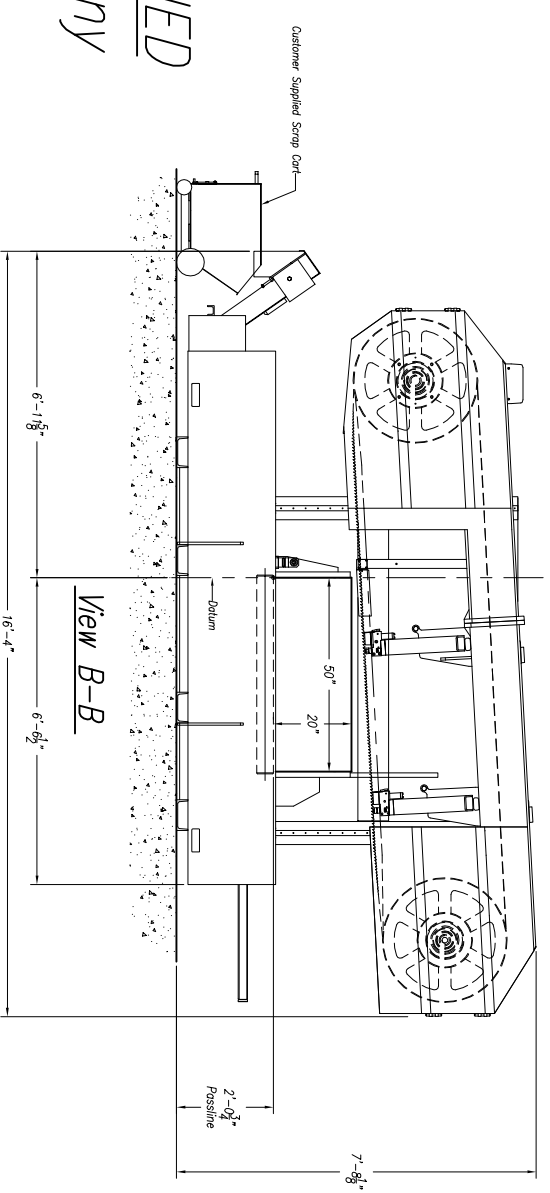


**CUSTOMER NOTE!!!!**  
 This Saw Is Manufactured  
 At A 24.8" Passline And  
 Requires A CUSTOMER SUPPLIED  
 Pit Or Platform To Achieve Any  
 Other Passline Requested.



**Approximate Machine Weight**  
 1250-510 – 11,105 lbs  
 Accumeasure – 6,500 lbs

**SAW COOLANT RECOMMENDATION:**  
 USE PEDDINGHAUS "PEDDI COOL" VEGETABLE BASE COOLANT  
 THIS PRODUCT IS FOR MIST COOLANT SYSTEMS  
 DO NOT MIX THIS COOLANT WITH WATER



**1250 Band Saw NOTES:**

- 1.) Passline of Equipment Based on 24.8" from Floorline
- 2.) Concrete Under Equipment/Beams & Pits to be a Minimum of 6" Thick
- 3.) Primary 460 V., 3 Ph., 60 Hz. [Req'd @ each ]
- 4.) Total K.V.A. for Equipment = 39 K.V.A. (49 Amps)
- 5.) Air Requirement: 90 PSIG, 2 SCFM Min. Free Air [Req'd @ Saw ]
- 6.) Anchor Bolts (Controls Stand) 1/2" ITW Red Head WS-1270 Or Equal [7 Req'd]
- 7.) Anchor Bolts (Machine & Safety Stands) 3/4" ITW Red Head WS-3470 or Equal [24 Req'd]
- 8.) Saw Coolant: Peddi Cool {1 Gal. Req'd}

**1250 Accumeasure Notes**

- 1.) Passline of Equipment Based on 24.8" from Floorline
- 2.) Concrete Under Equipment/Beams & Pits to be a Minimum of 6" Thick
- 3.) Primary 460 V., 3 Ph., 60 Hz. [Req'd @ each ]
- 4.) Total K.V.A. for Equipment = 32 K.V.A. (40 Amps)
- 5.) Air Requirement: 90 PSIG, 42 SCFM Min. Free Air [Req'd @ each ]
- 6.) Hydraulic Oil (Mobil DTE #24 Or Equal) [Req'd @ Each ] {60 Gal. Total}
- 7.) Anchor Bolts (Controls Stand) 1/2" ITW Red Head WS-1270 Or Equal [4 Req'd]
- 8.) Anchor Bolts (Machine & Safety Stand) 3/4" ITW Red Head WS-3470 Or Equal [24 Req'd]
- 9.) Network/Internet Connection for Data Transfer and Remote Diagnostics [Req'd @ Each ]

Peddinghaus Corp.		IMPORTANT Safety Note:	
BRADLEY, ILL. U.S.A.		Because of the difficulty to effectively guard the full length of the system it is the customer's responsibility and to provide safe crossing.	
Accumeasure & 1250 Band Saw 90° for		SCALE: 1/2" = 1'	DATE:
LET.	REVISION/C.N.#	BY	DATE
E			
D			
C			
B			
A			

View B-B

View A-A

View B-B