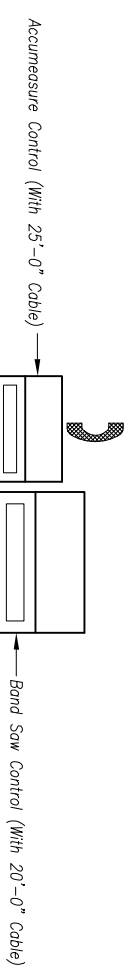
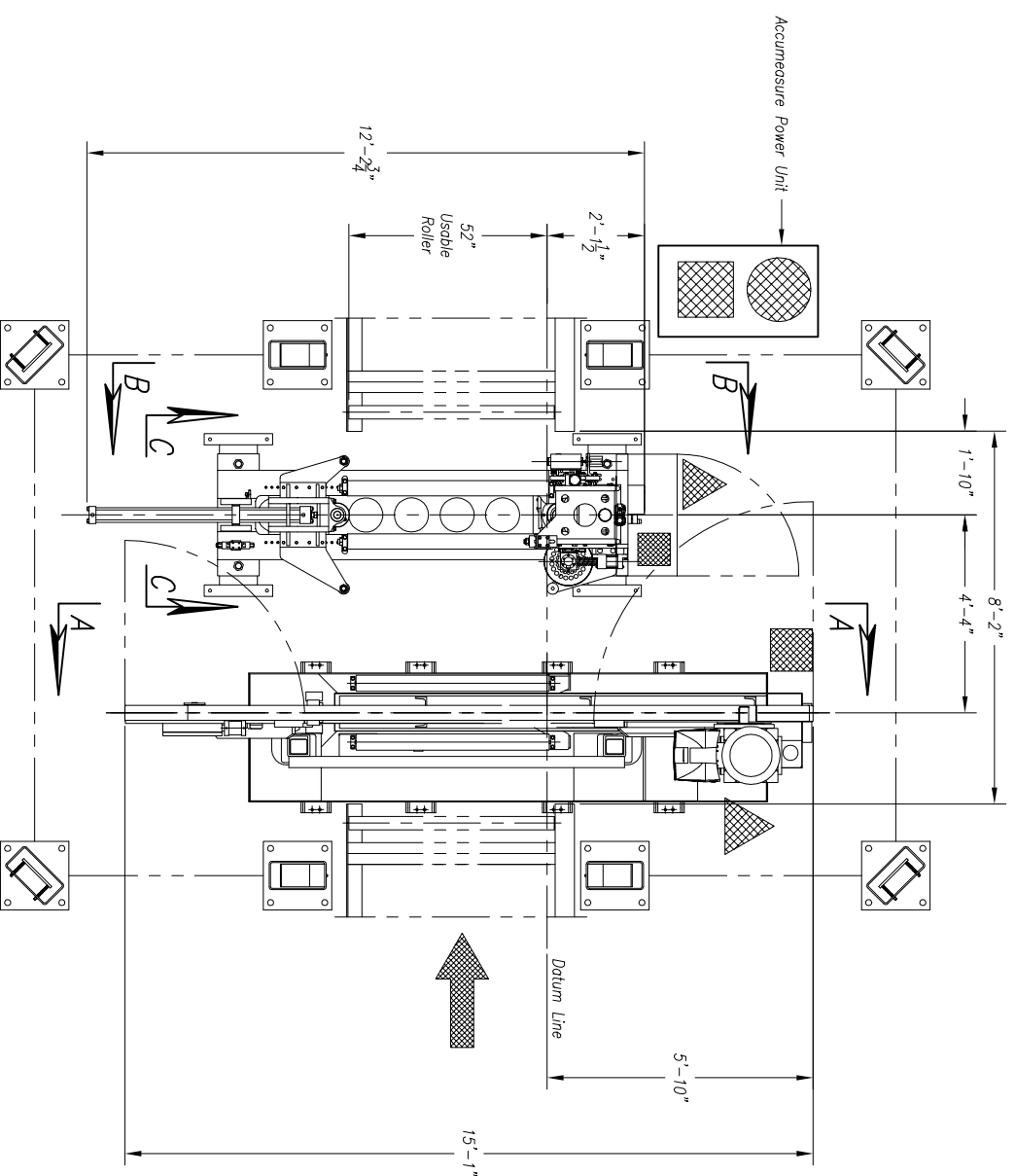


CUSTOMER NOTE!!!!
 This Saw Is Manufactured
 At A 24.8" Passline And
 Require A **CUSTOMER SUPPLIED**
 Pit Or Platform To Achieve Any
 Other Passline Requested.

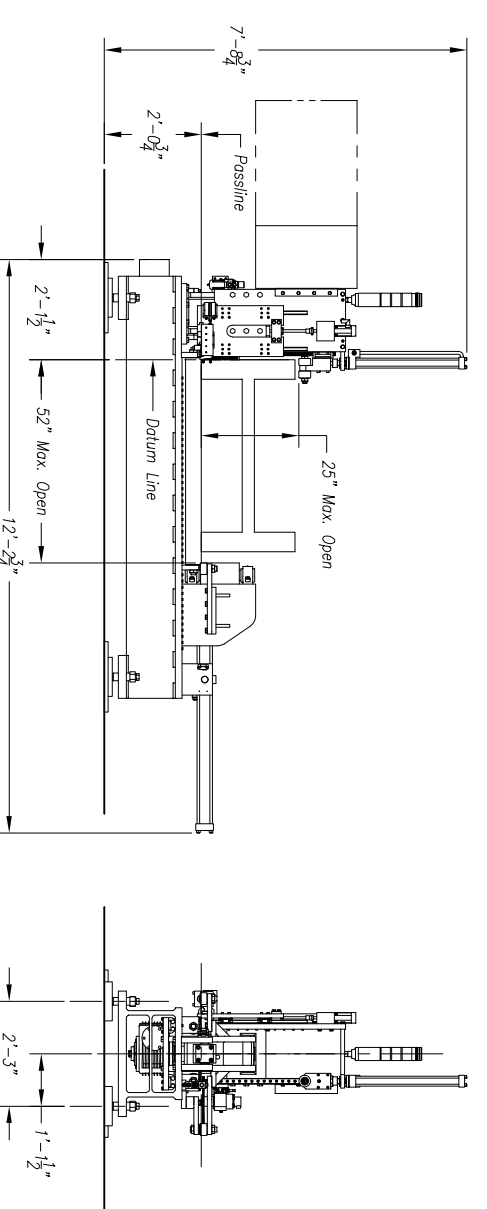
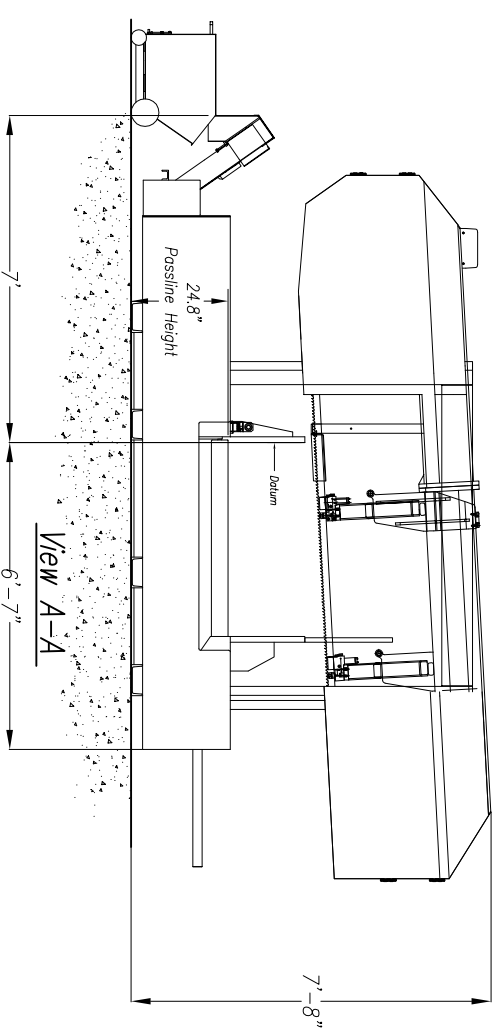


1250 SAW NOTES

- 1.) Passline of Equipment Based on " from Floorline
- 2.) Concrete Under Equipment/Beams & Pits to be a Minimum of 6" Thick
- 3.) Primary 460V., 3Ph., 60Hz. [Req'd @ each]
- 4.) Total K.V.A. for Saw = 39 K.V.A.
- 5.) Air Requirement: 90 PSIG, 2 SCFM Min. Free Air [Req'd @ each]
- 6.) Hydraulic Oil (Mobil DTE #24 Or Equal) [Req'd @ Each] {24 Gal. Total}
- 7.) Anchor Bolts For Band Saw & Safety Stands: 1/2" ITW Red Head WS-1270 Or Equal [40???? Req'd]
- 8.) Pedicool Saw Coolant {1 Gallon Req'd}

1250 ACCUMEASURE NOTES

- 1.) Passline of Equipment Based on " from Floorline
- 2.) Concrete Under Equipment/Beams & Pits to be a Minimum of 6" Thick
- 3.) Primary 460V., 3Ph., 60Hz. [Req'd @ each]
- 4.) Total K.V.A. for Equipment = 32 K.V.A.
- 5.) Air Requirement: 90 PSIG, 42 SCFM Min. Free Air [Req'd @ each]
- 6.) Hydraulic Oil (Mobil DTE #24 Or Equal) [Req'd @ Each] {60 Gal. Total}
- 7.) Anchor Bolts For AccuMeasure/Band Saw: 1/2" Phillips Red Head #S-12 Or Equal [48 Req'd]
- 8.) Analog Phone Line for Remote Diagnostic And Support. [Req'd @ Each]



Approximate Machine Weight
 1250-510 - 11,105lbs
 AccuMeasure - 6,500lbs

SAW COOLANT RECOMMENDATION:
 USE PEDDINGHAUS "PEDDI COOL" VEGETABLE BASE COOLANT
 THIS PRODUCT IS FOR MIST COOLANT SYSTEMS
 DO NOT MIX THIS COOLANT WITH WATER

E					
D					
C					
B					
A					
LET	REVISION/C/N #	BY	DATE		

Peddinghaus Corp.
 BRADLEY, ILL. U.S.A.
 AccuMeasure & 1250 Band Saw 90"
 For

URGENT SAFETY NOTE: Because of the complexity of this system, it is the customer's responsibility to prevent access by unauthorized persons to the system. For more information, contact Peddinghaus Corp. at 1-800-333-3333. SCALE: 1/2" = 1" DATE: 8/1/00 DWG. NO. 1250-510-001

THIS PRINT IS THE PROPERTY OF PEDDINGHAUS CORP. AND IS NOT TO BE USED IN ANY MANNER ATTRIBUTIVE TO THE INTERESTS OF SAID COMPANY.