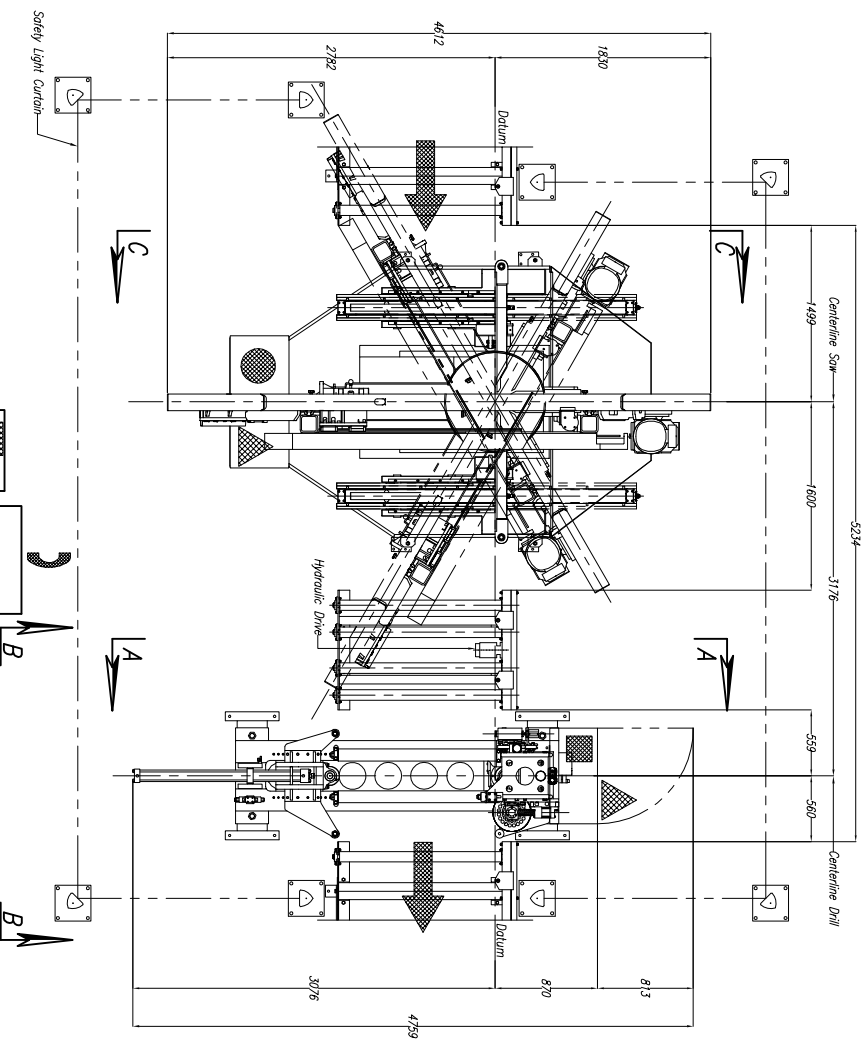


**CUSTOMER NOTE!!!!**  
 This Saw Is Manufactured  
 At A 630mm Passline And  
 Requires A **CUSTOMER SUPPLIED**  
 Pit Or Platform To Achieve Any  
 Other Passline Requested.

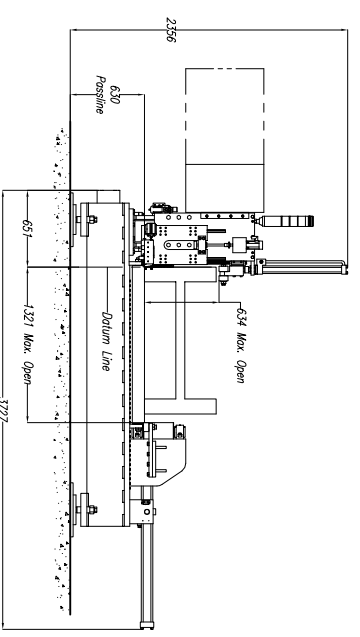


**SAW COOLANT RECOMMENDATION:**  
 USE PEDDINGHAUS 'PEDDI COOL' VEGETABLE BASE COOLANT  
 THIS PRODUCT IS FOR MIST COOLANT SYSTEMS  
 DO NOT MIX THIS COOLANT WITH WATER

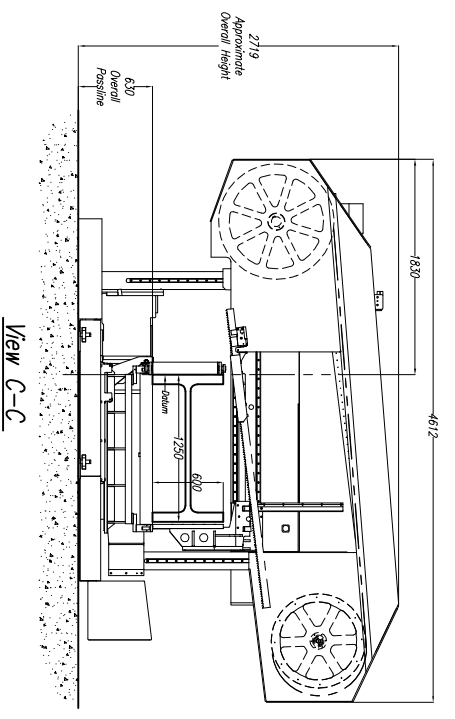
**DRILL COOLANT RECOMMENDATION:**  
 SEE MANUAL FOR DRILL COOLANT RECOMMENDATIONS

**Approximate Machine Weight**

1250 Accummeasure – 2,950 Kg  
 1250-600 DG – 6,650 Kg



View A-A

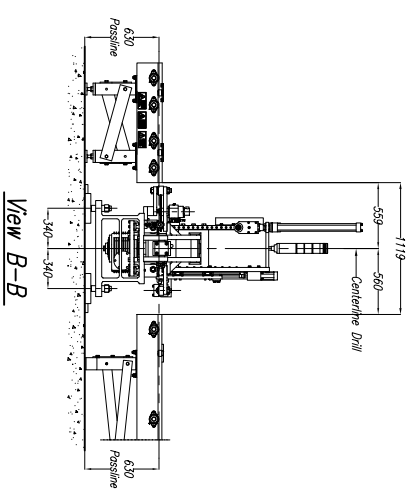


View C-C

- 1250-600 Saw Notes:**
- 1.) Passline of Equipment Based on 630mm from Floorline
  - 2.) Concrete Under Equipment/Beams & Pits to be a Minimum of 200mm Thick
  - 3.) Primary 380 V., 3 Ph., 50 Hz. [Req'd @ each ]
  - 4.) Total kW for Equipment = 18 kW (40 Amps)
  - 5.) Air Requirements: 6-8 bar, 50 L./min. Min. Free Air [Req'd @ each ] {13 L. Total}
  - 6.) Hydraulic Oil (Mobil DTE #24 Or Equal) [Req'd @ Each ] {16 Req'd}
  - 7.) Anchor Bolts (Control Stand) 12mm Anchor Bolts Or Equal [4 Req'd]
  - 8.) Anchor Bolts (Machine & Safety Stands) 20mm Anchor Bolt Or Equal [16 Req'd]

**1250 Accummeasure Notes**

- 1.) Passline of Equipment Based on 630mm from Floorline
- 2.) Concrete Under Equipment/Beams & Pits to be a Minimum of 200mm Thick
- 3.) Primary 380 V., 3 Ph., 50 Hz. [Req'd @ each ]
- 4.) Total kW for Equipment = 29 kW (48 Amps)
- 5.) Air Requirement: 6.2 bar, 1.19 SCMM Min. Free Air [Req'd @ each ]
- 6.) Hydraulic Oil (Mobil DTE #24 Or Equal) [Req'd @ Each ] {227 L. Total}
- 7.) Anchor Bolts (Controls Stand) 12mm Anchor Bolts Or Equal [4 Req'd]
- 8.) Anchor Bolts (Machine & Safety Stand) 20mm Anchor Bolts Or Equal [24 Req'd]
- 9.) Network/Internet Connection for Data Transfer and Remote Diagnostics [Req'd @ Each ]



View B-B

E				Peddinghaus Corp.		IMPORTANT Safety Note!	
D				BRADLEY, ILL. U.S.A.		Because of the difficulty to effectively guard the full length of the system it is the customer's personnel and to provide safe crossing.	
C				1250-600 Miter Band Saw		DRAWN BY: S. Martin	
B				& Accummeasure For		SCALE: 1 : 30	
A						DATE:	
LET.		REVISION/C.N.#		BY		DATE	

THIS PRINT IS THE PROPERTY OF PEDDINGHAUS CORP. AND IS NOT TO BE USED IN ANY MANNER DETRIMENTAL TO THE INTERESTS OF SAID COMPANY