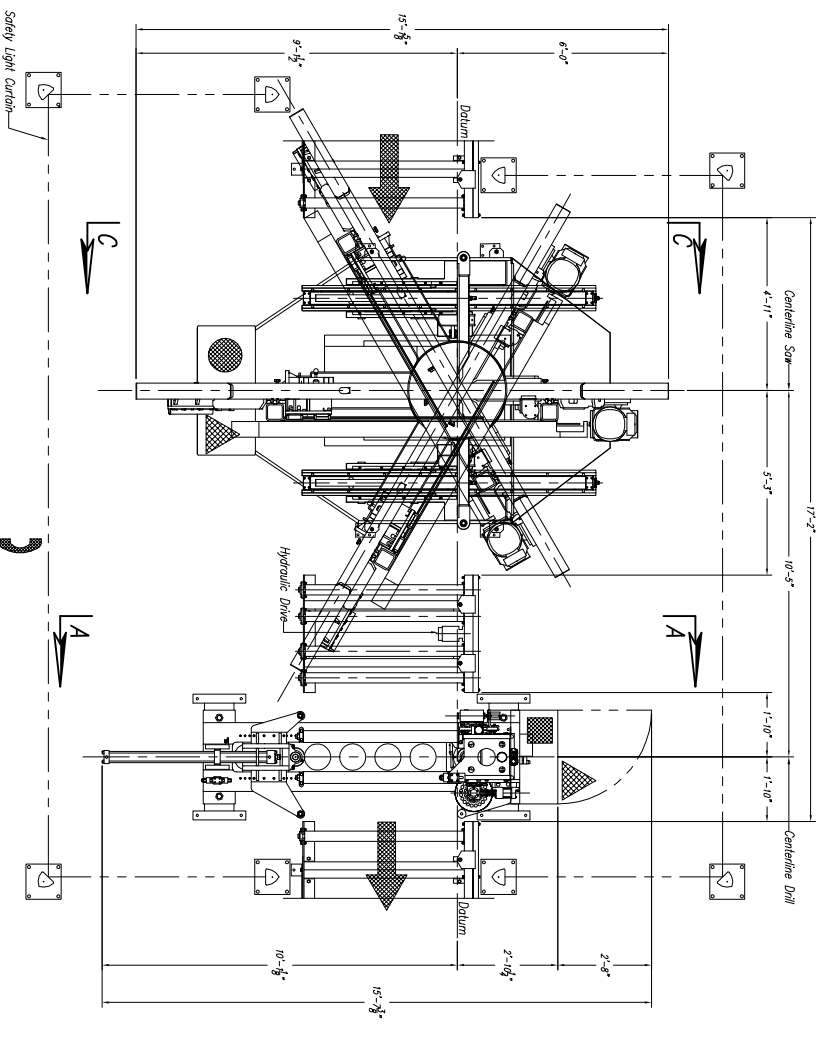


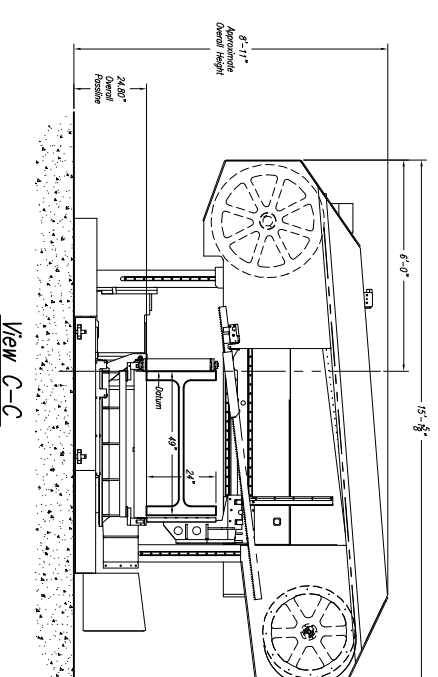
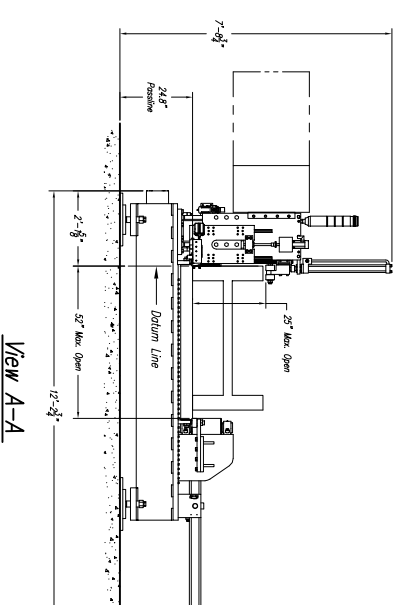
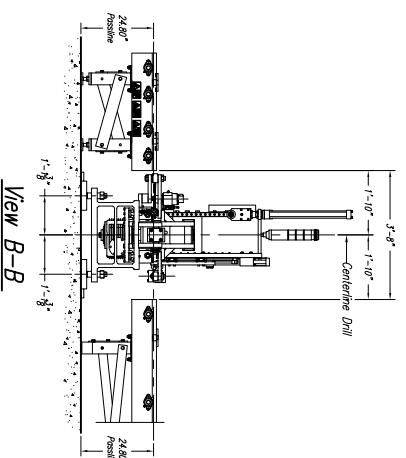
CUSTOMER NOTE!!!!
 This Saw Is Manufactured
 At A 24.8" Passline And
 Requires A CUSTOMER SUPPLIED
 Pit Or Platform To Achieve Any
 Other Passline Requested.



SAW COOLANT RECOMMENDATION:
 USE PEDDINGHAUS "RED" COOLANT. VEGETABLE BASE COOLANT
 THIS PRODUCT IS FOR MIST COOLANT SYSTEMS.
 DO NOT MIX THIS COOLANT WITH WATER.

DRILL COOLANT RECOMMENDATION:
 SEE MANUAL FOR DRILL COOLANT RECOMMENDATIONS

Approximate Machine Weight
 1250 Accumessure - 6,500 lbs
 1250-600 DG - 14,660 lbs



- 1250-600 Saw Notes:**
- 1.) Passline of Equipment Based on 24.8" from Floorline
 - 2.) Concrete Under Equipment/Beams & Pits to be a Minimum of 6" Thick
 - 3.) Primary 460 V., 3 Ph., 60 Hz. [Req'd @ each]
 - 4.) Total K.V.A. for Equipment = 22 K.V.A. (28 Amps)
 - 5.) Air Requirements: 90-100 PSIG, 2 SCFM. Min. Free Air [Req'd @ each]
 - 6.) Hydraulic Oil (Mobil DTE #24 Or Equal) [Req'd @ Each] {3.5 Gal. Total}
 - 7.) Anchor Bolts (Control Stand) 1/2" ITW Red Head WS-1270 Or Equal [4 Req'd]
 - 8.) Anchor Bolts (Machine & Safety Stands) 3/4" ITW Red Head WS-3470 Or Equal [16 Req'd]

- 1250 Accumessure Notes**
- 1.) Passline of Equipment Based on 24.8" from Floorline
 - 2.) Concrete Under Equipment/Beams & Pits to be a Minimum of 6" Thick
 - 3.) Primary 460 V., 3 Ph., 60 Hz. [Req'd @ each]
 - 4.) Total K.V.A. for Equipment = 30 K.V.A. (40 Amps)
 - 5.) Air Requirement: 90 PSIG, 42 SCFM Min. Free Air [Req'd @ each]
 - 6.) Hydraulic Oil (Mobil DTE #24 Or Equal) [Req'd @ Each] {60 Gal. Total}
 - 7.) Anchor Bolts (Control Stand) 1/2" ITW Red Head WS-1270 Or Equal [4 Req'd]
 - 8.) Anchor Bolts (Machine & Safety Stand) 3/4" ITW Red Head WS-3470 Or Equal [24 Req'd]
 - 9.) Network/Internet Connection for Data Transfer and Remote Diagnostics [Req'd @ Each]

E					
D					
C					
B					
A					
LET.					

Peddinghaus Corp.
BRADLEY, ILL. U.S.A.

1250-600 Miter Band Saw
& 1250 Accumessure For

IMPORTANT Safety Note
 Because of the difficulty to effectively guard the
 responsibility to prevent access by unauthorized
 personnel and to provide safe crossing.
 DRAWN BY: *G. Mankin* SCALE: 1/2" = 1" DATE:
 DRWG. NO.

THIS PRINT IS THE PROPERTY OF PEDDINGHAUS CORP. AND IS NOT TO BE USED IN
 ANY MANNER INVIOLATIVE TO THE INTERESTS OF SAID COMPANY