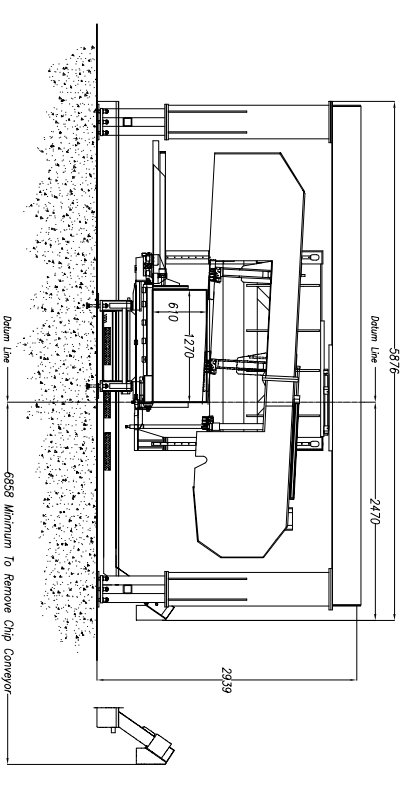
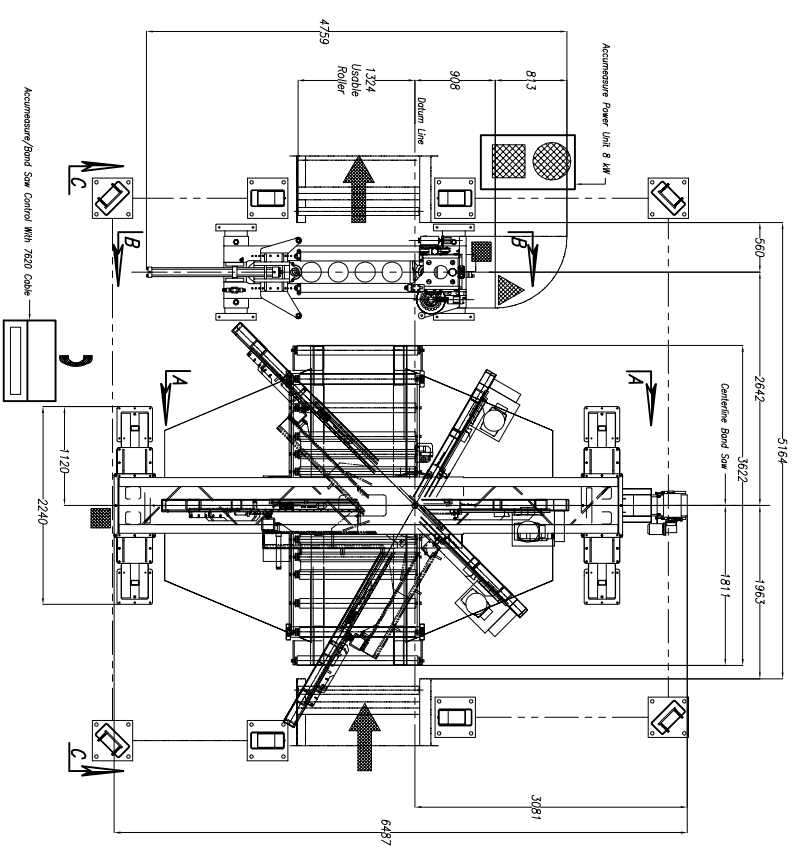
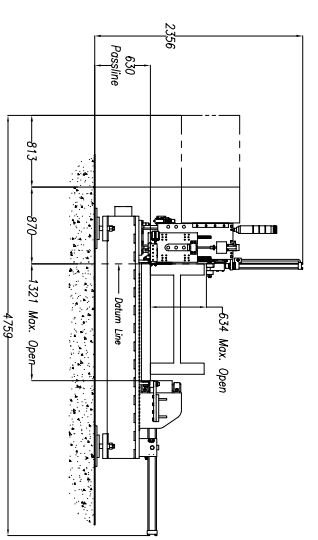
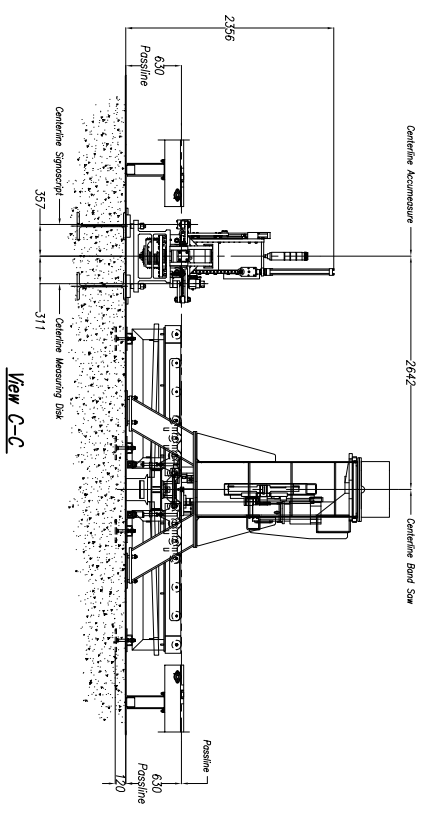


CUSTOMER NOTE!!!!
 This Saw Is Manufactured
 At A 630mm Passline And
 Require A CUSTOMER SUPPLIED
 Pit Or Platform To Achieve Any
 Other Passline Requested.



Approximate Machine Weights:
 1270-610 Saw - 9,000 kg
 1250 Accummeasure - 2,948 kg



- NOTES**
- 1.) Passline of Equipment Based on 630 mm from Floorline
 - 2.) Concrete Under Equipment/Beams & Pits to be a Minimum of 200mm Thick
 - 3.) Primary 380 V., 3 Ph., 50 Hz. [Req'd @ each]
 - 4.) Total kW for Equipment = 61 kW (Accummeasure 29 KW 48 Amps) (1270-610 32 KW 53 Amps)
 - 5.) Air Requirement: 6.21 bar, 1.19 SCMM Min. Free Air [Req'd @ each]
 - 6.) Hydraulic Oil (Mobil DTE #24 Or Equal) [Req'd @ Each] }227 L. Total{
 - 7.) Anchor Bolts (Machines & Safety Stands) 20mm ITW Red Head WS-3470 Or Equal [56 Req'd]
 - 8.) Anchor Bolts (Saw Roller Module) 16mm ITW Red Head WS-5870 Or Equal [8 Req'd]
 - 9.) Anchor Bolts (Control Stands) 16mm ITW Red Head WS-1270 Or Equal [7 Req'd]
 - 10.) Analog Phone Line for Remote Diagnostic And Support. [Req'd @ Each]

SAW COOLANT RECOMMENDATION:
 USE PEDDINGHAUS "PEDDI COOL" VEGETABLE BASE COOLANT
 THIS PRODUCT IS FOR MIST COOLANT SYSTEMS
 DO NOT MIX THIS COOLANT WITH WATER

E							
D							
C							
B							
A							
LET.							

Peddinghaus Corp.		Peddinghaus Safety Note: Because of the difficulty to effectively guard the responsibility to prevent access by unauthorized personnel and to provide safe crossing.
BRADLEY, ILL. U.S.A.		
Accummeasure & 1270-610		DRAWN BY: <i>G. Markku</i> SCALE: 1:40 DATE:
Miter Bond Saw		
TOR		SHEET of
REVISON/C.N.#		
BY DATE		THIS PRINT IS THE PROPERTY OF PEDDINGHAUS CORP. AND IS NOT TO BE USED IN ANY MANNER DETRIMENTAL TO THE INTERESTS OF SAID COMPANY
DATE		