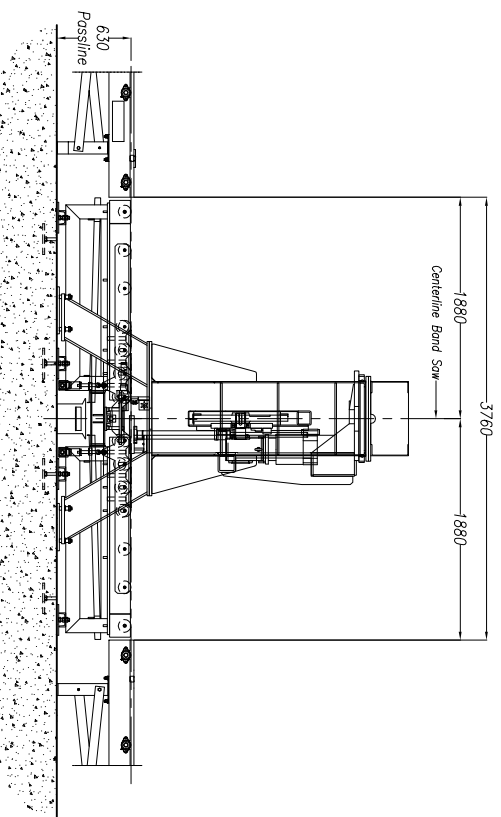


CUSTOMER NOTE!!!!
 This Saw Is Manufactured At A 630mm Passline And Requires A CUSTOMER SUPPLIED Pit Or Platform To Achieve Any Other Passline Requested.

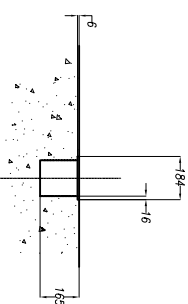
Approximate Machine Weights
 1270-610 - 7,500kg

C 25/38 x 200mm THICK CONCRETE RECOMMENDED UNDER ALL EQUIPMENT



1270-610 Saw NOTES:

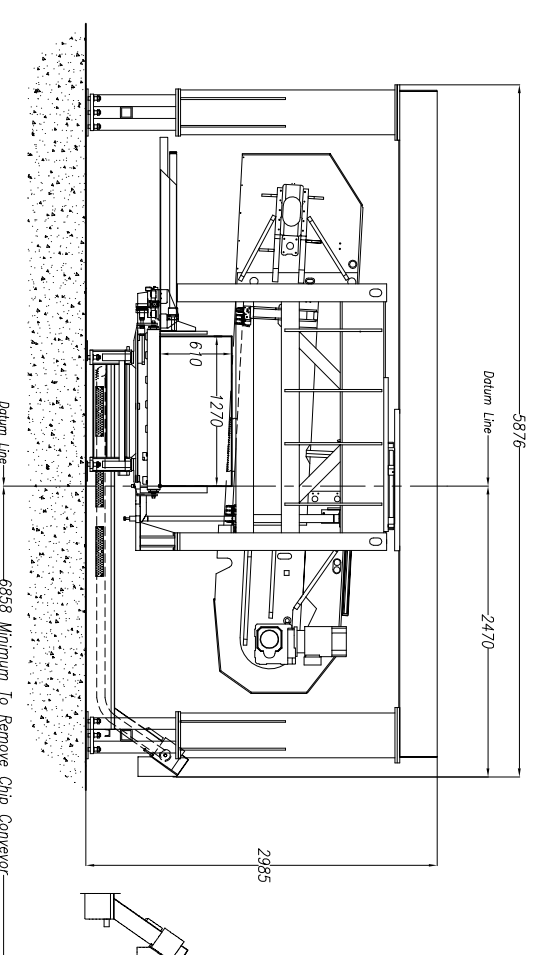
- 1.) Passline of Equipment Based on 630mm from Floorline
- 2.) Concrete Under Equipment/Beams & Pits to be a Minimum of 200mm Thick
- 3.) Primary 400 V., 3 Ph., 50 Hz. [Req'd @ each]
- 4.) Total kW for Equipment = 28 kW (53 Amps)
- 5.) Anchor Bolts (Control Stand) 12mm Anchor Bolt Or Equal [7 Req'd]
- 6.) Anchor Bolts (Machine & Safety Stands) 20mm Anchor Bolt Or Equal [32 Req'd]



CABLE DUCT DETAIL

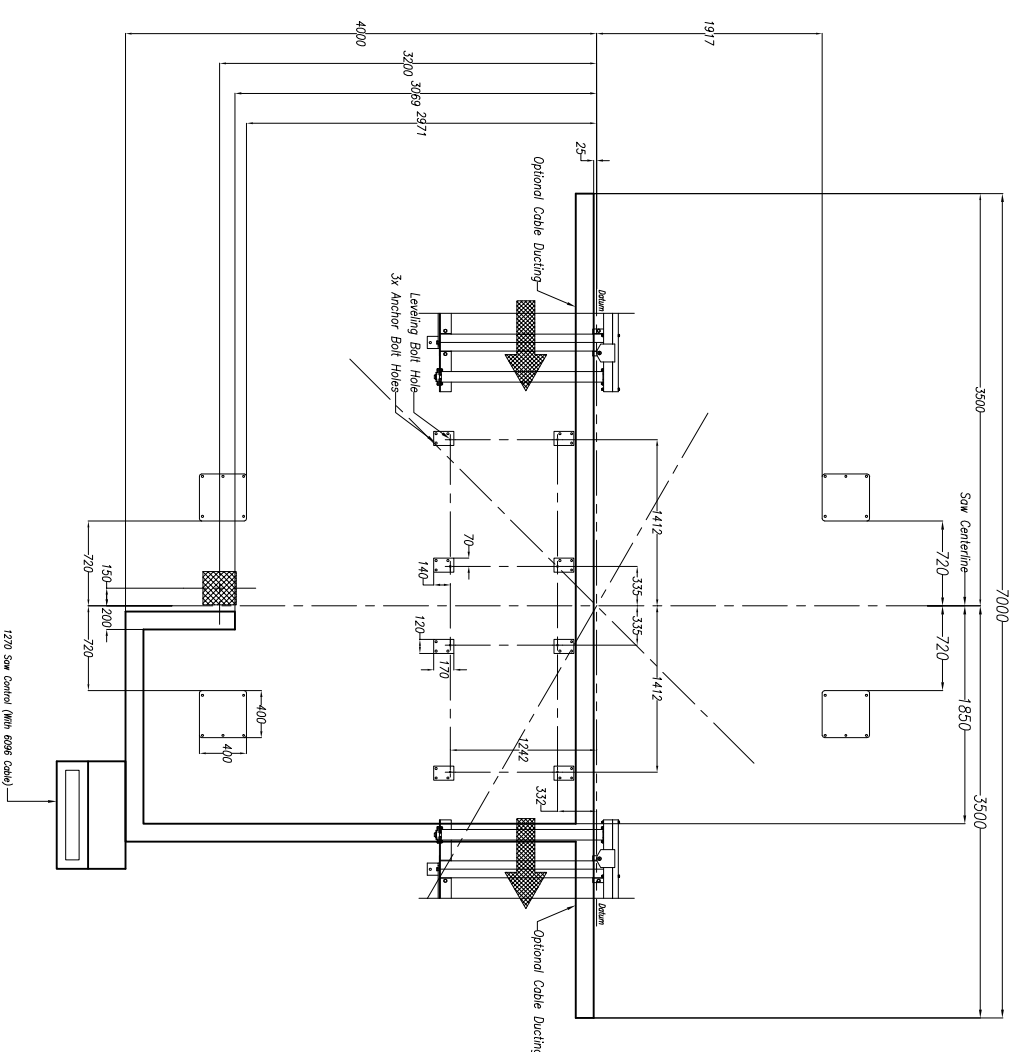
CUSTOMER TO SUPPLY COVER, 6mm THK, X 184mm WIDE
 INSTALLED AFTER FINAL FIELD WIRING & PIPING

SAW COOLANT RECOMMENDATION:
 USE PEDDINGHAUS "PEDDI COOL" VEGETABLE BASE COOLANT
 THIS PRODUCT IS FOR MIST COOLANT SYSTEMS
 DO NOT MIX THIS COOLANT WITH WATER



Section C-C

!!!NOTE: DO NOT DRILL HOLES FOR ANCHOR PLATES UNTIL MACHINE IS IN PLACE AND LEVEL AT FINAL INSTALLATION!!!



E					
D					
C					
B					
A					
LET.	REVISION/C.N.#	BY	DATE	THIS PRINT IS THE PROPERTY OF PEDDINGHAUS CORP. AND IS NOT TO BE USED IN ANY MANNER DETRIMENTAL TO THE INTERESTS OF SAID COMPANY.	
				Peddinghaus Corp. BRADLEY, ILL. U.S.A.	
				Meba 1270-610 Miter Band Saw for	
				DRAWN BY: <i>J. Martin</i> SCALE: 1 : 30 DATE:	
				DRWG. NO.	

IMPORTANT Safety Note:
 Because of the difficulty to effectively guard the full length of the system it is the customers responsibility to prevent access by unauthorized personnel and to provide safe crossing.