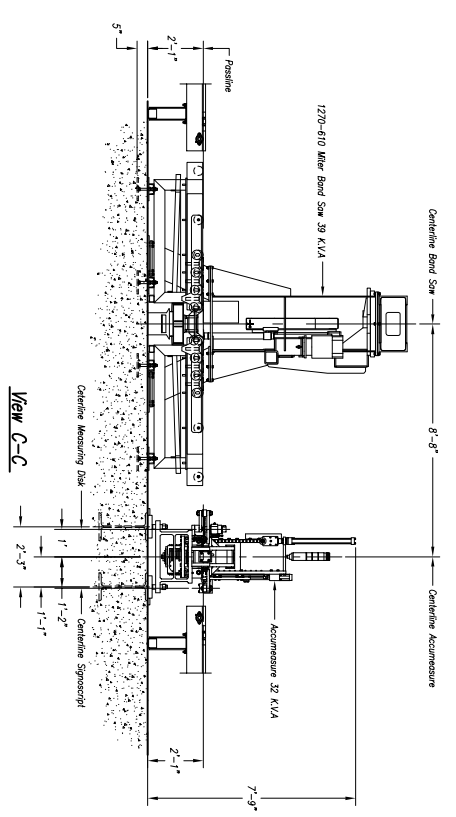
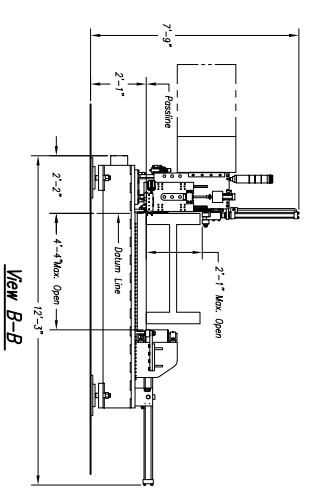
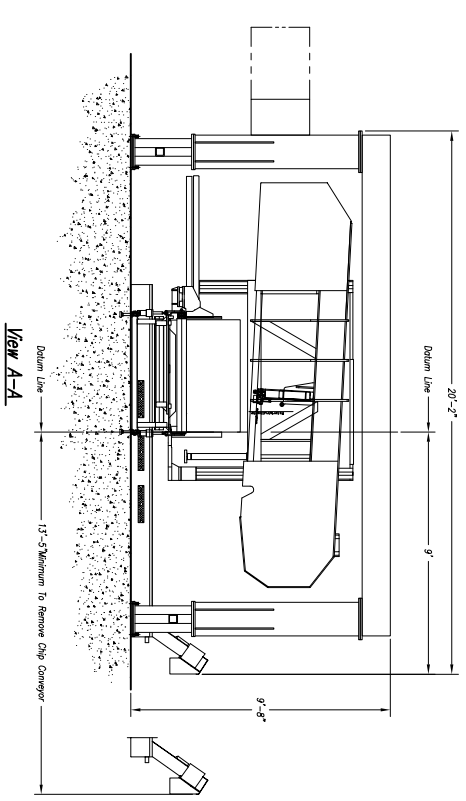


**CUSTOMER NOTE!!!!**  
 This Saw Is Manufactured  
 At A 24.8" Passline And  
 Require A CUSTOMER SUPPLIED  
 Pit Or Platform To Achieve Any  
 Other Passline Requested.



**NOTES**

- 1.) Passline of Equipment Based on 24.8" from Floorline
- 2.) Concrete Under Equipment/Beams & Pits to be a Minimum of 152mm Thick
- 3.) Primary 460 V. 3 Ph. 60 Hz. [Req'd @ each ]
- 4.) Total kW for Equipment = 71 K.V.A.
- 5.) Air Requirement: 6.21 bar, 1.19 SCMM Min. Free Air [Req'd @ each ]
- 6.) Hydraulic Oil (Mobil DTE #24 Or Equal) [Req'd @ Each ] {227 L Total}
- 7.) Anchor Bolts For Accumeasure/Band Saw: 13mm Phillips Red Head #S-12 Or Equal [48 Req'd]
- 8.) Analog Phone Line for Remote Diagnostic And Support. [Req'd @ Each ]

**SAW COOLANT RECOMMENDATION:**  
 USE PEDDINGHAUS "PEDDI COOL" VEGETABLE BASE COOLANT  
 THIS PRODUCT IS FOR MIST COOLANT SYSTEMS  
 DO NOT MIX THIS COOLANT WITH WATER

REV	REVISION/CHG	BY	DATE
E			
D			
C			
B			
A			
1			

**Peddinhaus Corp.**  
 BRANDT, IL, U.S.A.  
 Accumeasure & 1270-610  
 Model Band Saw  
 for

**IMPORTANT SAFETY NOTE:**  
 Peddinghaus is not responsible for any accidents or injuries caused by the use of this equipment. The user must read and understand the instructions and safety warnings provided with the equipment. Peddinghaus is not responsible for any accidents or injuries caused by the use of this equipment. The user must read and understand the instructions and safety warnings provided with the equipment.

Scale: 1:40  
 Date: 9/1/2000  
 Sheet: 1 of 1