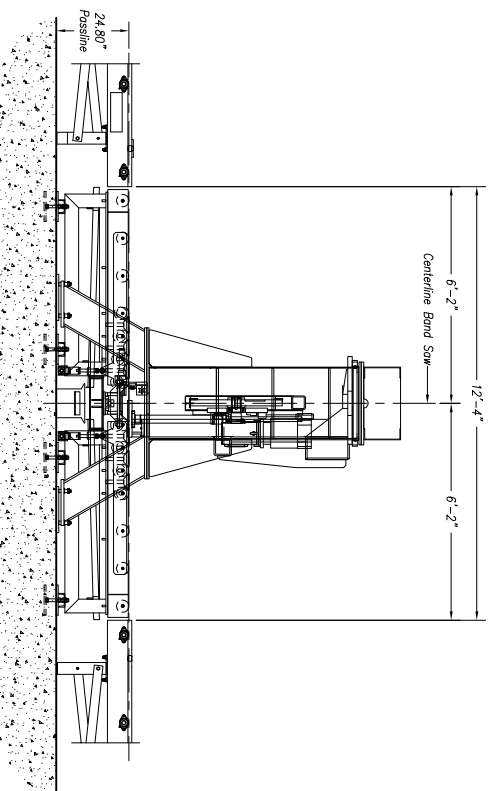


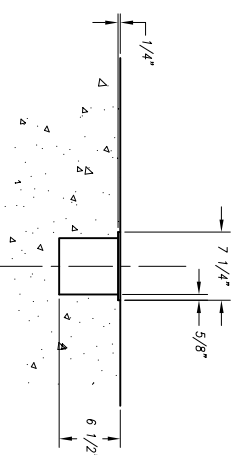
CUSTOMER NOTE!!!!
 This Saw Is Manufactured
 At A 24.8" Passline And
 Requires A CUSTOMER SUPPLIED
 Pit Or Platform To Achieve Any
 Other Passline Requested.

Approximate Machine Weights
 1270-610 - 16,535 lbs



1270-610 Saw NOTES:

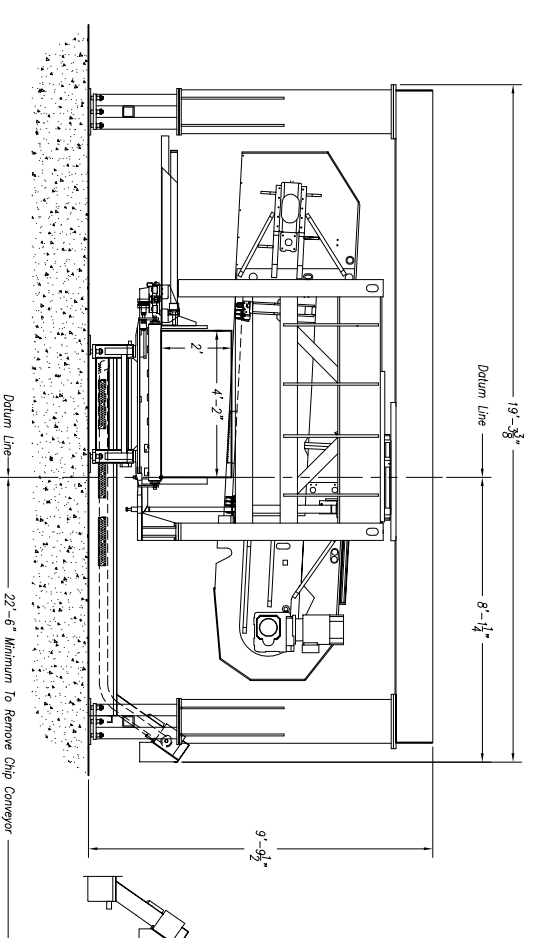
- 1.) Passline of Equipment Based on 24.8" from Floorline
- 2.) Concrete Under Equipment/Beams & Pits to be a Minimum of 6" Thick
- 3.) Primary 460 V., 3 Ph., 60 Hz. [Req'd @ each]
- 4.) Total K.V.A. for Equipment = 35 K.V.A. (44 Amps)
- 5.) Anchor Bolts (Control Stand) 1/2" ITW Red Head WS-1270 Or Equal [7 Req'd]
- 6.) Anchor Bolts (Machine & Safety Stands) 3/4" ITW Red Head WS-3470 Or Equal [32 Req'd]



CABLE DUCT DETAIL

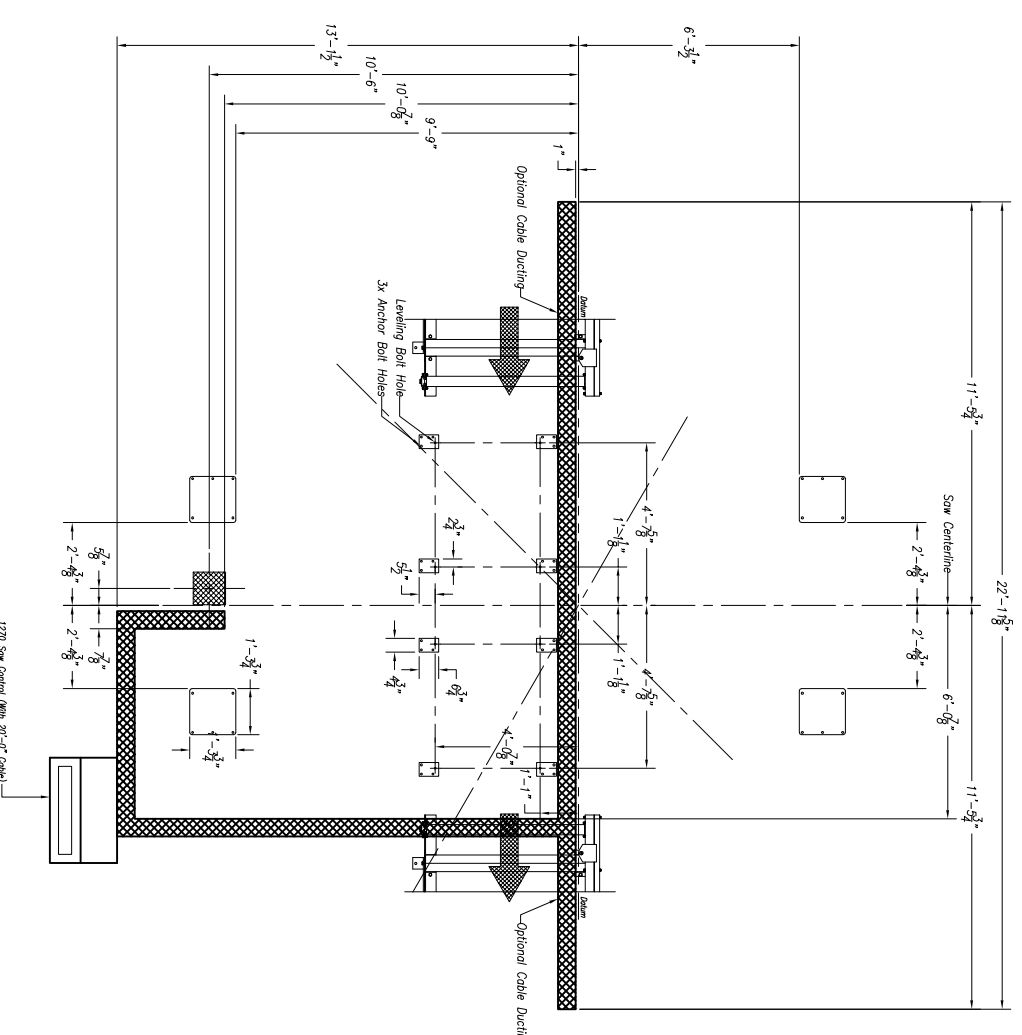
CUSTOMER TO SUPPLY COVER: 1/4" THK. X 7 1/4" WIDE
 INSTALLED AFTER FINAL FIELD WIRING & PIPING

SAW COOLANT RECOMMENDATION:
 USE PEDDINGHAUS "PEDDI COOL" VEGETABLE BASE COOLANT
 THIS PRODUCT IS FOR MIST COOLANT SYSTEMS
 DO NOT MIX THIS COOLANT WITH WATER



Section C-C

**!!!NOTE: DO NOT DRILL HOLES FOR ANCHOR PLATES UNTIL
 MACHINE IS IN PLACE AND LEVEL AT FINAL INSTALLATION!!!**



C 25/38 x 200mm THICK CONCRETE RECOMMENDED UNDER ALL EQUIPMENT

E					
D					
C					
B					
A					
LET.	REVISION/C.N.#	BY	DATE	THIS PRINT IS THE PROPERTY OF PEDDINGHAUS CORP. AND IS NOT TO BE USED IN ANY MANNER DETRIMENTAL TO THE INTERESTS OF SAID COMPANY	
Peddinghaus Corp.			IMPORTANT Safety Note:		
BRADLEY, ILL. U.S.A.			Because of the difficulty to effectively guard the responsibility to prevent access by unauthorized personnel and to provide safe crossing.		
Meba 1270-610 Miter Band Saw			DRAWN BY:	SCALE: 3/8" = 1'	DATE:
for			J. Markin	DRWG. NO.	