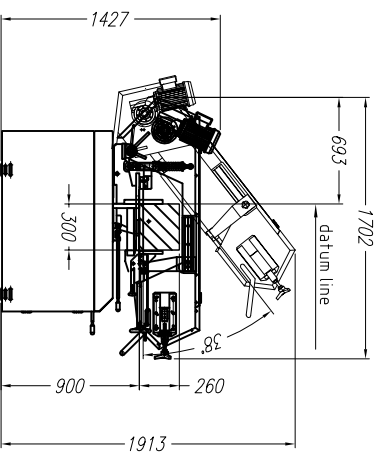


NOTE: THE CONVEYORS AND MEASURING SYSTEM SHOWN IN THIS LAYOUT ARE OPTIONAL ONLY AND WILL NOT BE INCLUDED WITH THE SAW

view X



260 DG Band Saw NOTES:

- 1.) Passline of Equipment Based on 900mm from Floorline
- 2.) Concrete Under Equipment/Beams & Pits to be a Minimum of 4" Thick
- 3.) Primary 400 V., 3 Ph., 50 Hz. [Req'd @ each]
- 4.) Total K.V.A. for Equipment = 6 K.V.A. (7.5 Amps)
- 5.) Air Requirement: 90 PSIG, 2 SCFM Min. Free Air [Req'd @ each]

Peddinghaus Corp. BRADLEY, ILL. U.S.A.		URGENT SAFETY NOTE	
260 DG Miter Band Saw for		Because of the complexity of this system, the manufacturer assumes full responsibility to prevent access by unauthorized persons to the system. It is the customer's responsibility to restrict access to the system.	
DESIGN BY	SCALE: 1/2" = 1'	DATE	
BY	DATE	DRWG. NO.	
REVISION/CH.#			
LET			

THIS PRINT IS THE PROPERTY OF PEDDINGHAUS CORP. AND IS NOT TO BE USED IN ANY MANNER DISSEMBLING TO THE INTERESTS OF SAID COMPANY