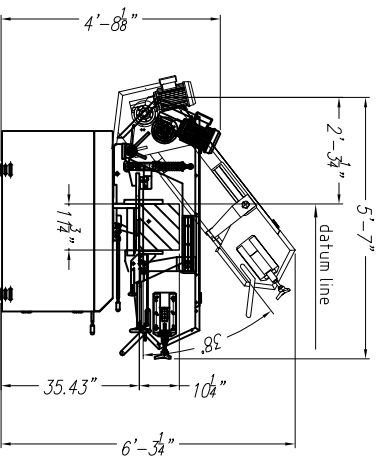


NOTE: THE CONVEYORS AND MEASURING SYSTEM SHOWN IN THIS LAYOUT ARE OPTIONAL ONLY AND WILL NOT BE INCLUDED WITH THE SAW

view X



**260 DG Band Saw NOTES:**

- 1.) Passline of Equipment Based on 35.43" from Floorline
- 2.) Concrete Under Equipment/Beams & Pits to be a Minimum of 4" Thick
- 3.) Primary 460 V., 3 Ph., 60 Hz. [Req'd @ each ]
- 4.) Total K.V.A. for Equipment = 6 K.V.A. (7.5 Amps)
- 5.) Air Requirement: 90 PSIG, 2 SCFM Min. Free Air [Req'd @ each ]

E					
D					
C					
B					
A					
LET	REVISION/CL./#	BY	DATE	THIS PRINT IS THE PROPERTY OF PEDDINGHAUS CORP. AND IS NOT TO BE USED IN ANY MANNER DISSEMBL. TO THE INTERESTS OF SAID COMPANY.	

**Peddinghaus Corp.**  
BRADLEY, ILL. U.S.A.  
260 DG Miter Band Saw  
for

URGENT SAFETY NOTICE  
Because of the complexity of this equipment, it is the customer's responsibility to prevent access by unauthorized personnel to the control panel. The customer should be advised of this responsibility. SCALE: 1/2" = 1' DATE: 6/20/2011 DRAWG. NO. 260DG