

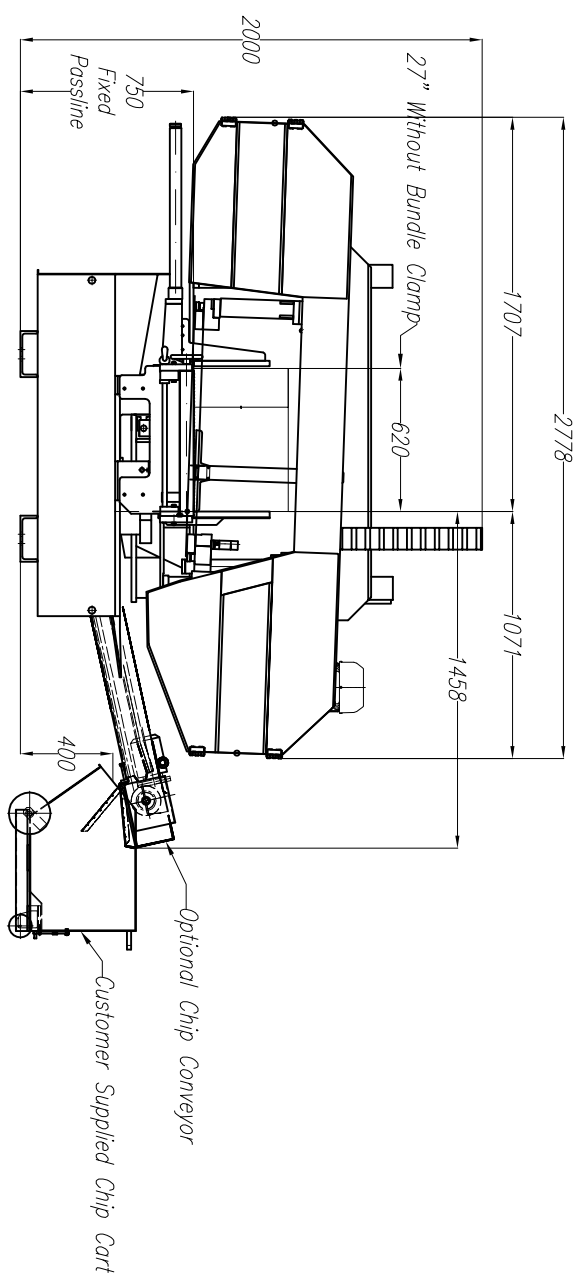
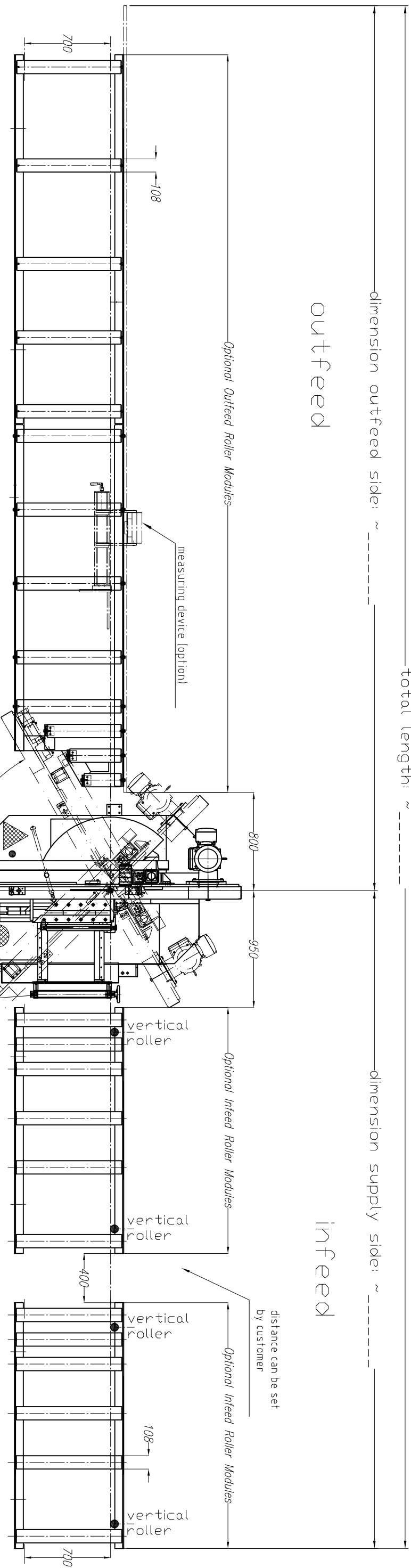
material flow direction

dimension outfeed side: ~
total length: ~
dimension supply side: ~

outfeed

infeed

distance can be set by customer



Support Roller: Manually Operated (Hydraulic Operation Optional)

Saw Control (With 6M Cable)

410 DG 700 Band Saw NOTES:

- 1.) Passline of Equipment Based on 750mm from Floorline
- 2.) Concrete Under System to be a Minimum of 160mm Thick
- 3.) Primary 400 V., 3 Ph., 50 Hz. [Req'd @ each]
- 4.) Total K.V.A. for Equipment = 5 K.V.A. (12 Amps)
- 5.) Air Requirement 6,205 bar. 50 L/min Min. Free Air [Req'd @ each]
- 6.) Hydraulic Oil (Mobil DTE #24 or Equal) [Req'd @ Each] 113 L Total
- 7.) Anchor Bolts (Machine & Control Stand) 16mm Anchor Bolt or Equal [8 Req'd]

Peddinghaus Corp.		Peddinghaus Corp.	
BRADLEY, ILL. U.S.A.		BRADLEY, ILL. U.S.A.	
410 DG 700 Miter Band Saw		410 DG 700 Miter Band Saw	
for		for	
DRAWN BY:		SCALE: 3/4" = 1'	
DATE:		DATE:	
DRAWING NO.		DRAWING NO.	
REVISION/C.N.#		REVISION/C.N.#	
BY		BY	
DATE		DATE	
LET		LET	

IMPORTANT Safety Note:
Because of the difficulty to effectively guard the full length of the system it is the customers responsibility to prevent access by unauthorised personnel and to provide side crossing.

THIS PRINT IS THE PROPERTY OF PEDDINGHAUS CORP. AND IS NOT TO BE USED IN ANY MANNER DETRIMENTAL TO THE INTERESTS OF SAID COMPANY.