

material flow direction

dimension outfeed side: ~

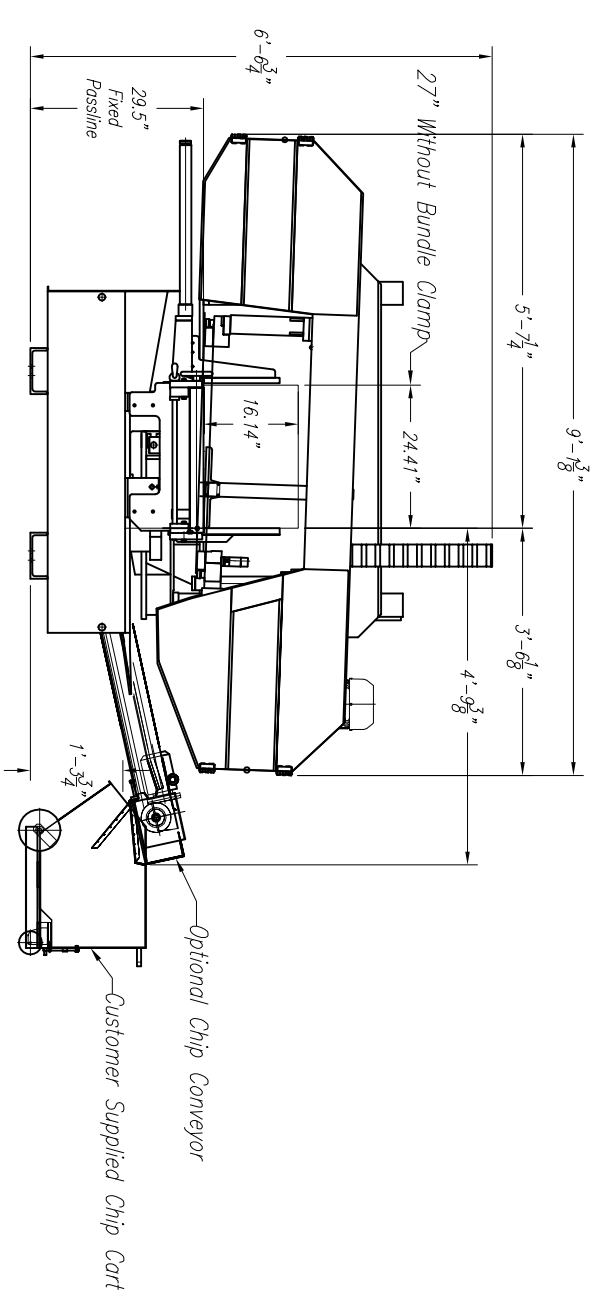
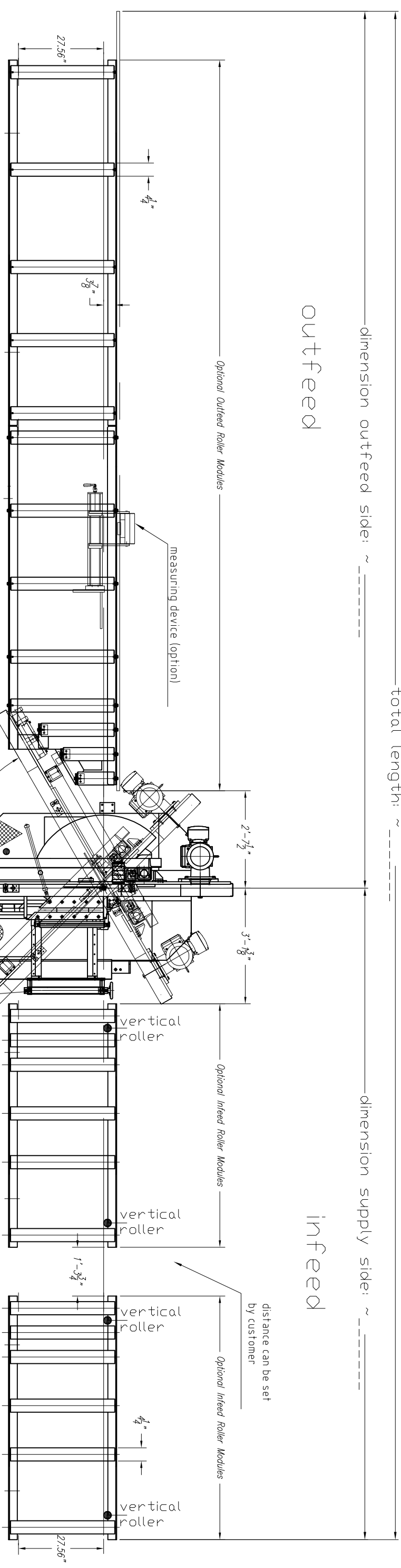
total length: ~

dimension supply side: ~

outfeed

infeed

distance can be set by customer



Saw Control (With 20'-0" Cable)

Support Roller: Manually Operated
(Hydraulic Operation Optional)

410 DG 700 Band Saw NOTES:

- 1.) Passline of Equipment Based on 29.5" from Floorline
- 2.) Concrete Under System to be a Minimum of 6" Thick
- 3.) Primary 460 V., 3 Ph., 60 Hz. [Req'd @ each]
- 4.) Total K.V.A. for Equipment = 8 K.V.A. (10 Amps)
- 5.) Air Requirement 90 PSIG, 1.77 SCFM Min. Free Air [Req'd @ each]
- 6.) Hydraulic Oil (Mobil DTE #24 or Equal) [Req'd @ Each] 13.5 Gal. Total
- 7.) Anchor Bolts (Machine & Control Stand) 5/8" ITW Red Head WS-5870 or Equal [8 Req'd]

Peddinghaus Corp.		Peddinghaus Corp.	
BRADLEY, ILL. U.S.A.		BRADLEY, ILL. U.S.A.	
410 DG 700 Miter Band Saw		410 DG 700 Miter Band Saw	
for		for	
E	REVISION/C.N.#	BY	DATE
D			
C			
B			
A			
LET			

THIS PRINT IS THE PROPERTY OF PEDDINGHAUS CORP. AND IS NOT TO BE USED IN ANY MANNER DETRIMENTAL TO THE INTERESTS OF SAID COMPANY

IMPORTANT Safety Note:
Because of the difficulty to effectively guard the full length of the system it is the customers responsibility to prevent access by unauthorised personnel and to provide safe crossing.

SCALE: 3/4" = 1' DATE:
DRAWN BY: DRWG. NO: