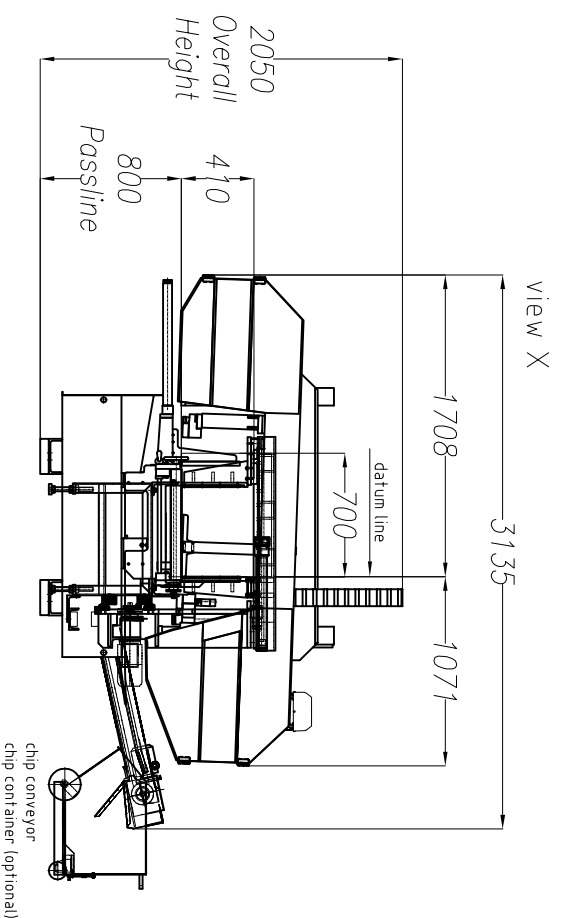
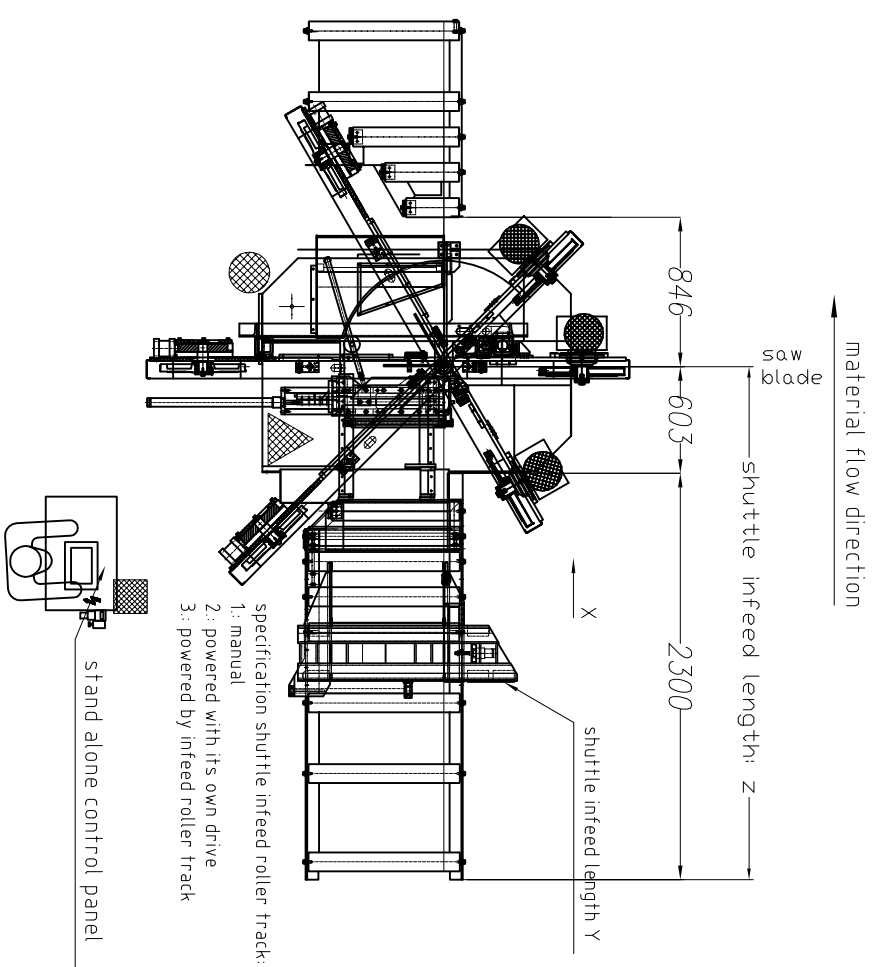


MEBA **eco** 410 DGA – Shuttle infeed



shuttle infeed length y	specification	powered by own drive	powered by infeed roller track	shuttle infeed length z
1300mm				2603mm
2300mm				3603mm
3300mm				4603mm
4300mm				5603mm
5300mm				6603mm
6300mm				7603mm

410 DGA 2300 Saw NOTES:

- 1.) Passline of Equipment Based on 800mm from Floorline
- 2.) Concrete Under Equipment/Beams & Pits to be a Minimum of 200 Thick
- 3.) Primary 380 V., 3 Ph., 50 Hz. [Req'd @ each]
- 4.) Total K.V.A. for Equipment = 14 kW (26 Amps)
- 5.) Air Requirement: 6.2l – 7.93 bar, 50 l./min Min. Free Air [Req'd @ each]
- 6.) Hydraulic Oil (Mobil DTE #24 Or Equal) [Req'd @ Each] 5 l. Total
- 7.) Anchor Bolts (Infeed Shuttle) 12mm Anchor Bolts Or Equal [12 Req'd]
- 8.) Anchor Bolts (Mitered Conveyors) 20mm Anchor Bolts Or Equal [4 Req'd]

REV.	REVISION/C.N.#	BY	DATE	THIS PRINT IS THE PROPERTY OF PEDDINGHAUS CORP. AND IS NOT TO BE USED IN ANY MANNER DETRIMENTAL TO THE INTERESTS OF SAID COMPANY
E				
D				
C				
B				
A				
LET.				

Peddinghaus Corp.		IMPORTANT Safety Note!	
BRADLEY, ILL. U.S.A.		Because of the difficulty to effectively guard the rotating parts of the system access by customers' personnel and to provide safe crossing.	
410 DGA 2300 Miter Band Saw		DRAWN BY:	SCALE: 1 : 20
for		DATE:	DRWG. NO.