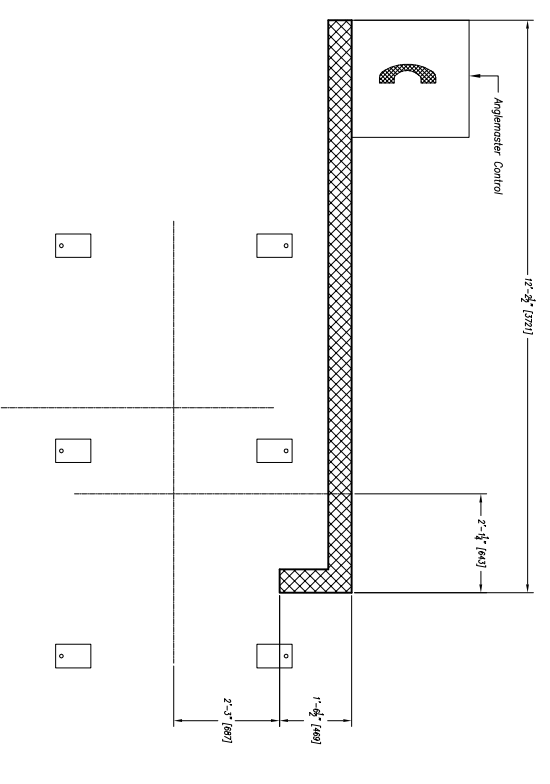
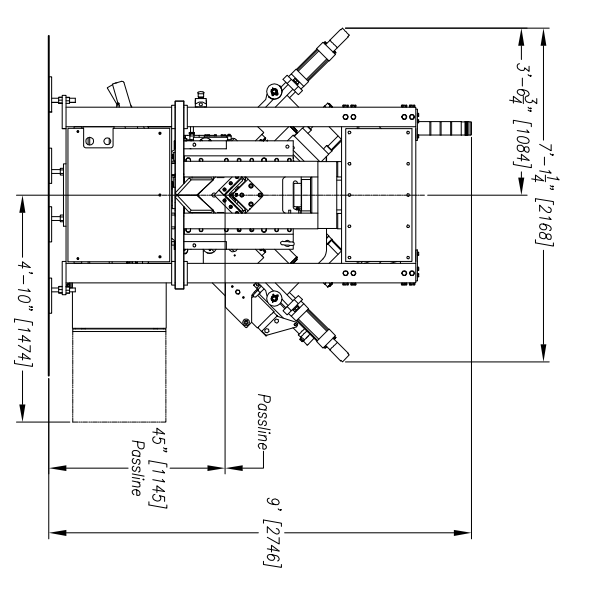
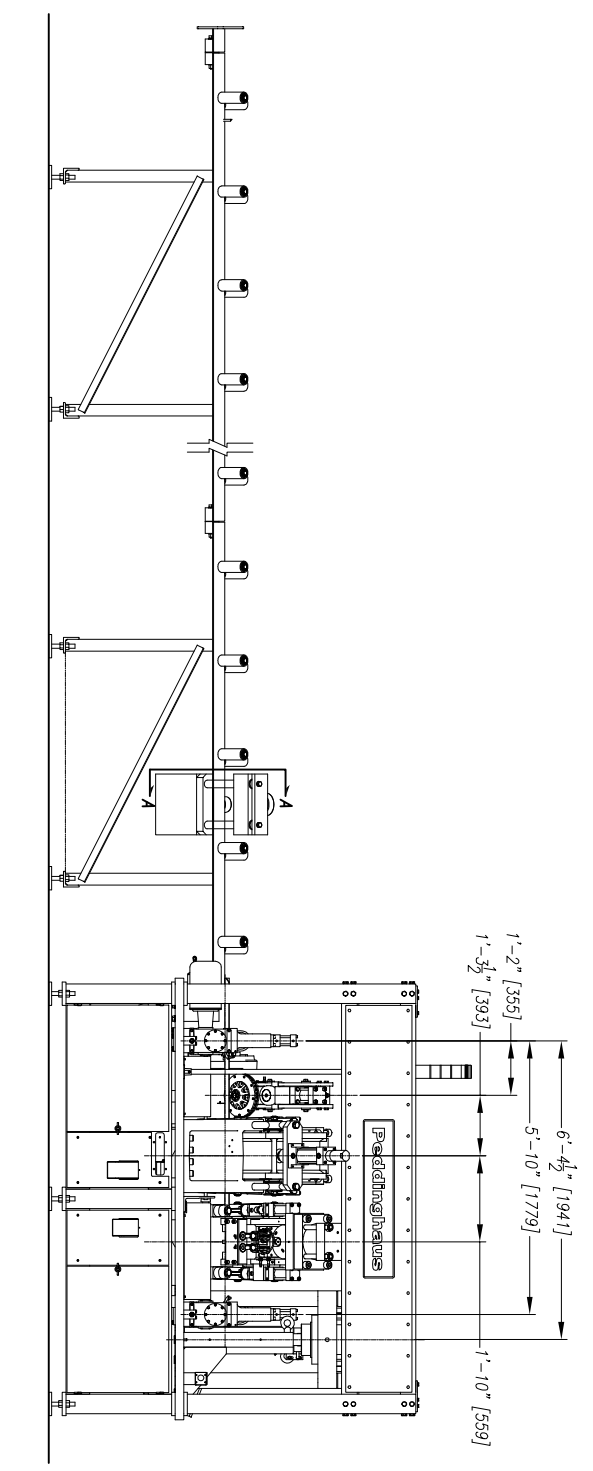
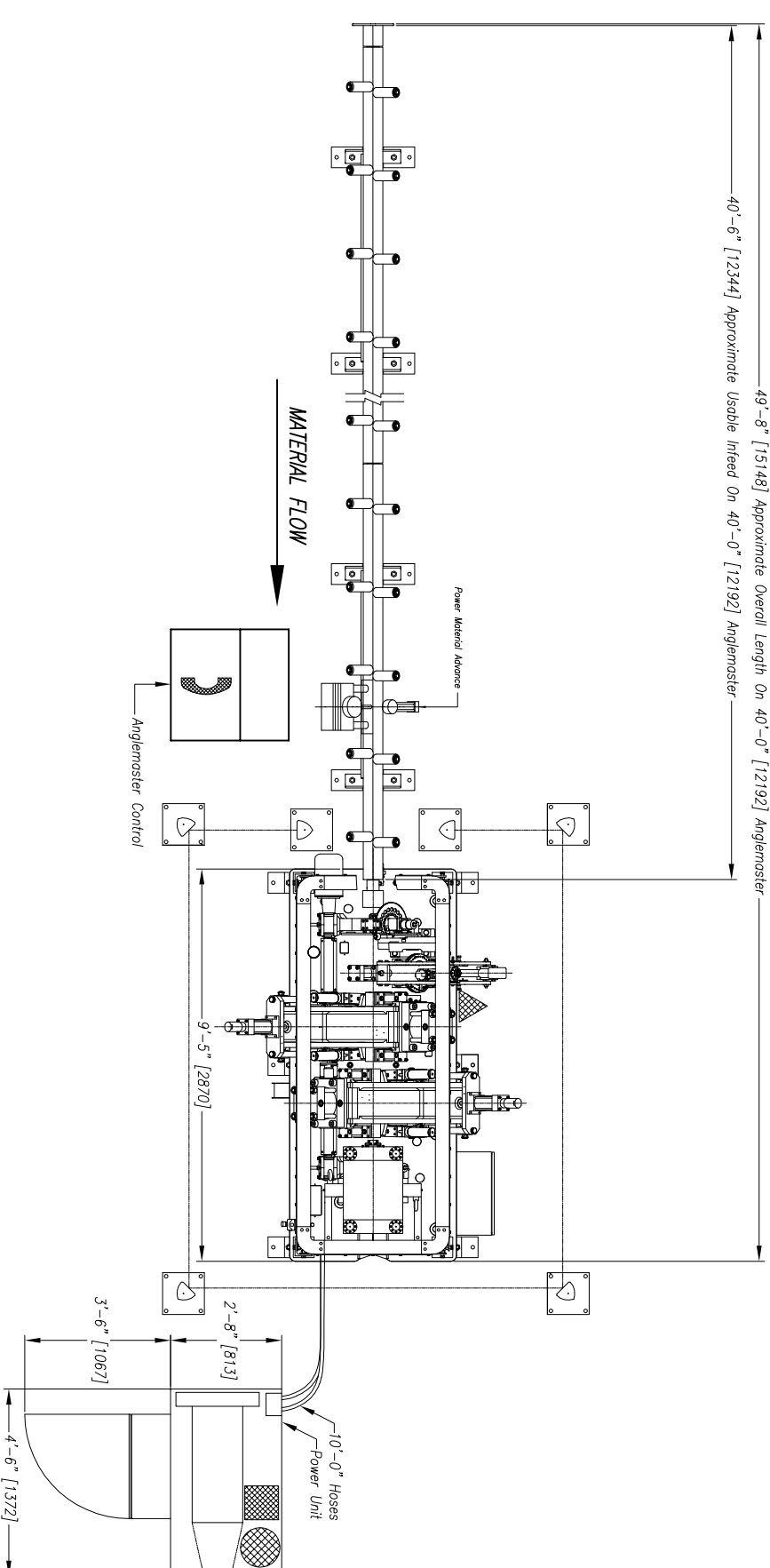


GENERAL NOTES

- 1) PASSLINE OF EQUIPMENT BASED ON 45° FROM FLOOR
- 2) CONCRETE FLOOR UNDER SYSTEM TO BE MINIMUM OF 6" THICK
- 3) HORSEPOWER FOR SYSTEM = 25 HP; 49 KVA (61 Amps)

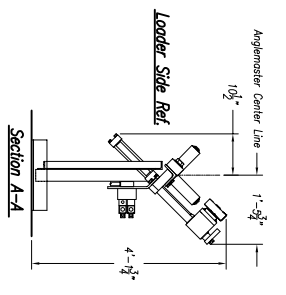
CUSTOMER SUPPLIED

- 5a) PRIMARY 460 V. / 3 PH. / 60 HZ. [REQ'D @ EACH ]
- 5b) AIR REQUIREMENT: 80 PSIG. 5 SCFM MINIMUM FREE AIR [REQ'D @ EACH ] (Without signoscript)
- 5c) AIR REQUIREMENT: 90 PSIG. 47 SCFM MINIMUM FREE AIR [REQ'D @ EACH ] (With signoscript)
- 5d) MOBIL DTE #24 OR AMERICAN #15 HYDRAULIC OIL OR EQUAL [REQ'D @ EACH ] 120 GAL. TOTAL
- 5e) EQUIPMENT TO BE IN AREA OF FINAL INSTALLATION
- 5f) WELDING MACHINE, 2' SQUARE, 2' & 4' LEVELS, TRANSIT, SLEDGE HAMMER, "C" CLAMPS & WRENCHES
- 5g) ANCHOR BOLTS FOR HEAD & INFEED ASSEMBLY, #WS-3454 "TRUBOLT" OR EQUAL [22 REQ'D]
- 5h) ANCHOR BOLTS FOR SAFETY LIGHTS #WS-3454 "TRUBOLT" OR EQUAL [28 REQ'D]
- 5i) ANCHOR BOLTS FOR LOADERS AND UNLOADERS (IF PURCHASED) #WS-1254 "TRUBOLT" OR EQUAL [REQ'D]
- 5j) CUTTING TORCH, 8" PORT-A-POWER & BODY GRINDER
- 5k) (3) MEN TO HELP INSTALL EQUIPMENT: (1) ELECTRICIAN & (2) MAINTENANCE
- 5l) 1-1/2 TON "COME-A-LONG" & 100' STEEL TAPE
- 5m) EQUIPMENT IS SHIPPED IN SUB-ASSEMBLES AND SHOULD BE UNCRATED, ASSEMBLED, POSITIONED AND ROUGH LEVELLED BY CUSTOMER. DO NOT BOLT EQUIPMENT TO FLOOR !!
- 5n) Network/Internet Connection for Data Transfer And Remote Diagnostic And support. [Req'd @ Each ]



CABLE DUCT DETAIL

CUSTOMER TO SUPPLY COVER: 1/4" THK. X 7 1/4" WIDE  
 INSTALLED AFTER FINAL FIELD WIRING & PIPING



E						
D						
C						
B						
A						
LET						

URGENT SAFETY NOTE

Because of the complexity of this system, the manufacturer assumes full responsibility for the correct installation of the system. It is the customer's responsibility to prevent access by unauthorized persons to the system.

Drawn By: J.C. Coakley

Scale: 1/2" = 1'

Date:

THIS PRINT IS THE PROPERTY OF PEDDINGHAUS CORP. AND IS NOT TO BE USED IN ANY MANNER DETRIMENTAL TO THE INTERESTS OF SAID COMPANY.

Peddinghaus Corp.  
 BRANDY, ILL. U.S.A.

AFPS 643 Q Anglemaster  
 For