

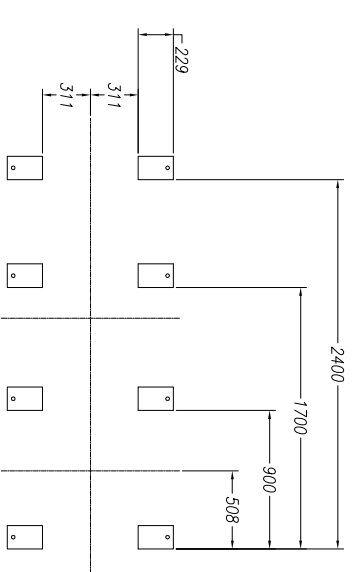
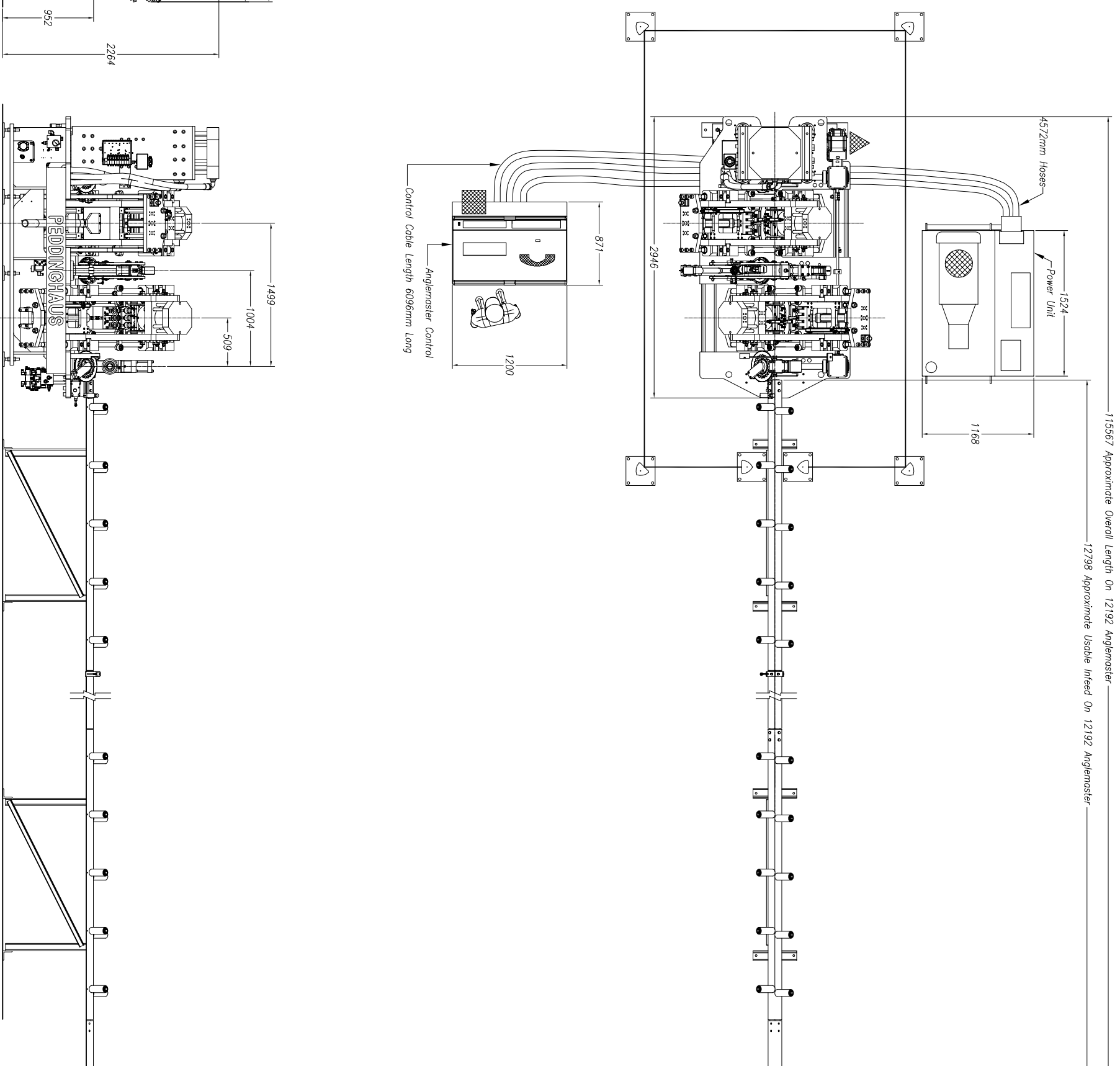
GENERAL NOTES

- 1) PASSLINE OF EQUIPMENT BASED ON 953mm FROM FLOOR
- 2) CONCRETE FLOOR UNDER SYSTEM TO BE MINIMUM OF 153mm THICK
- 3) POWER FOR SYSTEM = 55 kW (86 Amps)

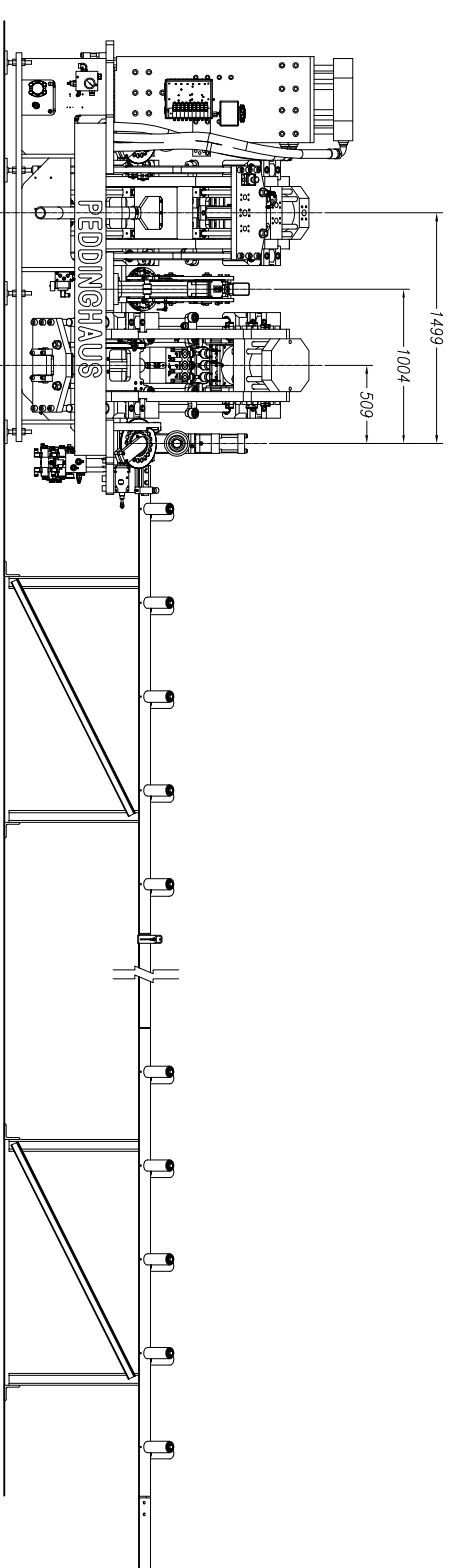
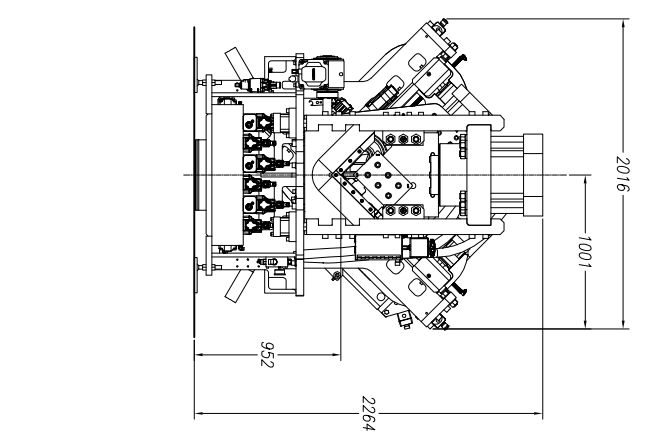
CUSTOMER SUPPLIED

- 5a) PRIMARY 380 V / 3 PH. / 50 HZ. [REQ'D @ EACH]
- 5b) AIR REQUIREMENT: 6.2 Bar, 142 L/H MINIMUM FREE AIR [REQ'D @ EACH] (Without signscript)
- 5c) AIR REQUIREMENT: 6.2 Bar, 1190 L/H MINIMUM FREE AIR [REQ'D @ EACH] (With signscript)
- 5d) MOBIL DIE #24 OR AMERICAN #15 HYDRAULIC OIL OR EQUAL [REQ'D @ EACH] 568 L TOTAL
- 5e) EQUIPMENT TO BE IN AREA OF FINAL INSTALLATION
- 5f) WELDING MACHINE, 51 SQUARE, 51 & 102 LEVELS, TRANSIT, SLEDGE HAMMER, "C" CLAMPS & WRENCHES
- 5g) ANCHOR BOLTS FOR HEAD & NEED ASSEMBLY, #WS-3454 "RUBOLT" OR EQUAL [24 REQ'D]
- 5h) ANCHOR BOLTS FOR SAFETY LIGHTS #WS-3454 "RUBOLT" OR EQUAL [24 REQ'D]
- 5i) ANCHOR BOLTS FOR LOADERS AND UNLOADERS (IF PURCHASED) #WS-1254 "RUBOLT" OR EQUAL [REQ'D]
- 5j) CUTTING TORCH, 204mm PORT-A-POWER & BODY GRINDER
- 5k) (3) MEN TO HELP INSTALL EQUIPMENT: (1) ELECTRICIAN & (2) MAINTENANCE
- 5l) 1,525 kg "COME-A-LONG" & 30M STEEL TAPE
- 5m) EQUIPMENT IS SHIPPED IN SUB-ASSEMBLES AND SHOULD BE UNCRATED, ASSEMBLED, POSITIONED AND ROUGH LEVELED BY CUSTOMER. DO NOT BOL I EQUIPMENT TO FLOOR !!!
- 5n) Network/Internet Connection for Data Transfer And Remote Diagnostic And support. [req'd @ Each]

Machine weight ~10,433 kg



E					
D					
C					
B					
A					
LET	REVISION/C/N #	BY	DATE	THIS PRINT IS THE PROPERTY OF PEDDINGHAUS CORP. AND IS NOT TO BE USED IN ANY MANNER DETRIMENTAL TO THE INTERESTS OF SAID COMPANY.	



Peddighaus Corp.
BRADLEY, ILL. U.S.A.

AFPS 863 A Anglemaster
For

URGENT SAFETY NOTE: Because of the complexity of this system, the customer is responsible for the full length of the system. It is the customer's responsibility to prevent access by unauthorized persons to the system. SCALE 1/2" = 1" DATE: 5/ Corporation DPMC NO.