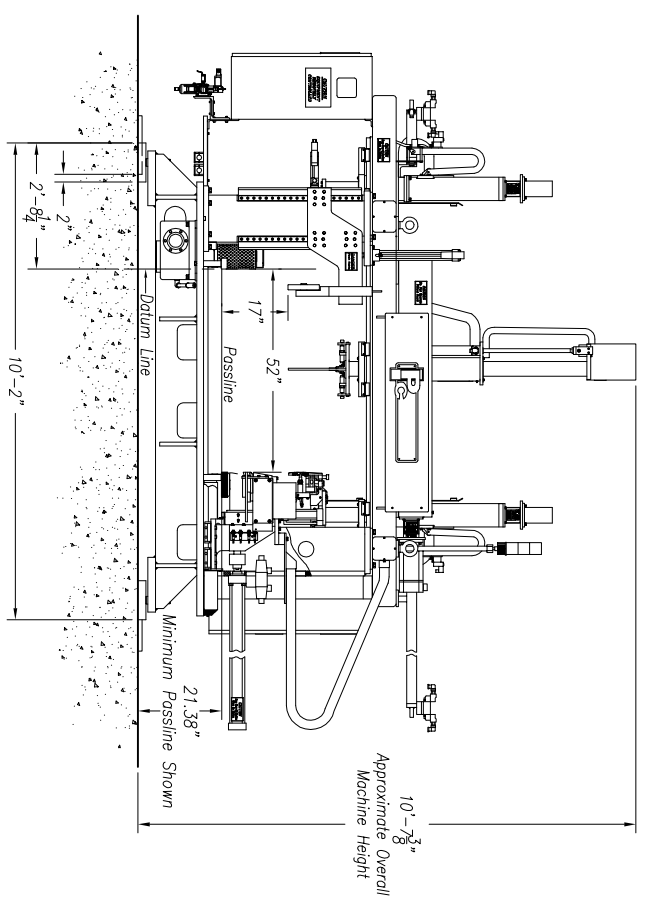
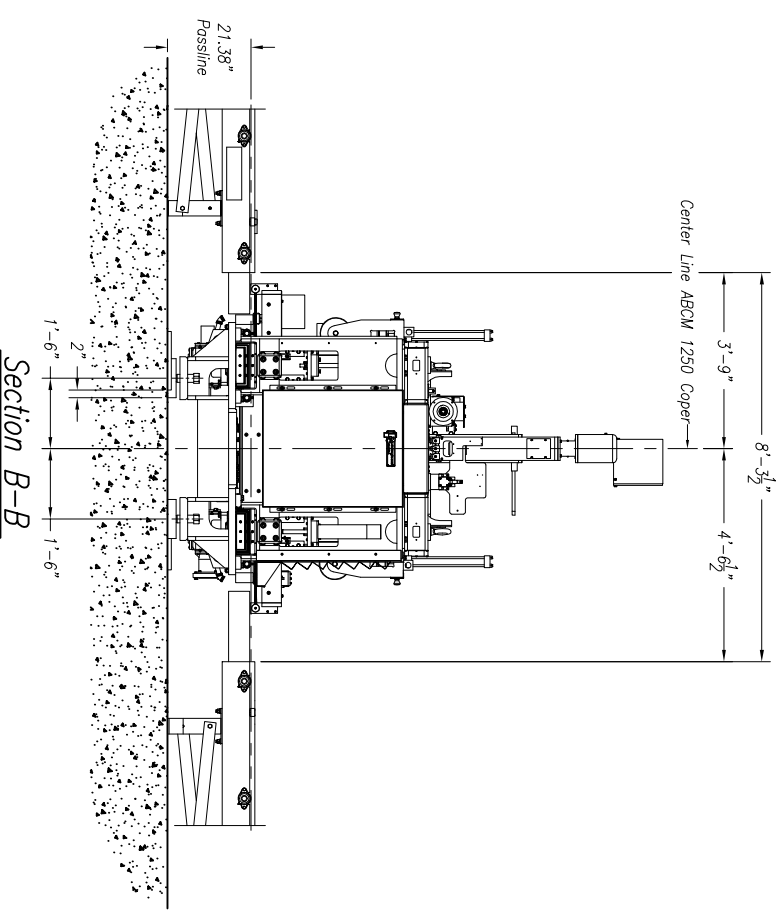


Approximate Machine Weight
 ABCM 1250 - 15,772 lbs

ABCM 1250/3 COPER NOTES:

- 1.) Passline of Equipment Based on " from Floorline
- 2.) Concrete Under System to be a Minimum of 6" Thick
- 3.) Primary 460 V., 3 Ph., 60 Hz. [Req'd @ each]
- 4.) Total K.V.A. for Equipment = 32.6 K.V.A. (41 Amps)
- 5.) Air Requirement: 80 PSIG, 20 SCFM Min. Free Air [Req'd @ each]
- 6.) Cutting Oxygen: 1200 SCFH [Req'd @ each O₂]
- 7.) Acetylene Gas: 90 SCFH [Req'd @ each G]
- 8.) Anchor Bolts (Machine & Safety Stands) 3/4" ITW Red Head WS-3470 or Equal [20 Req'd]
- 9.) Anchor Bolts (Crossover/Control Platform) 1/2" ITW Red Head WS-1270 or Equal [8 Req'd]
- 10.) Hydraulic Oil [NYPAC FR 200 Water-Glycol, Fire Resistant Hydraulic Fluid or Equal] (Req'd @ Each) {30 Gal. Total}
- 11.) Network/Internet Connection for Data Transfer and Remote Diagnostics [Req'd @ Each]

IMPORTANT NOTE!! SPECIAL HYDRAULIC OIL REQUIRED READ ALL NOTES ABOVE



Section A-A
 (LEFT SIDE VIEW)

REVISION/C/N #	BY	DATE
E		
D		
C		
B		
A		
LET		

Peddinghaus Corp.
 BRANDX, LLC USA
 ABCM 1250/3D Copping Machine
 For

IMPORTANT SAFETY NOTE:
 Because of the complexity of this system, it is the customer's responsibility to prevent access by unauthorized persons to the system.
 DRAWN BY: *g. Alford* SCALE: 1/2" = 1' DATE:
 DESIGNED BY: DATE:
 CHECKED BY: DATE:
 APPROVED BY: DATE:
 THIS PRINT IS THE PROPERTY OF PEDDINGHAUS CORP. AND IS NOT TO BE USED IN ANY MANNER DETRIMENTAL TO THE INTERESTS OF SAID COMPANY.