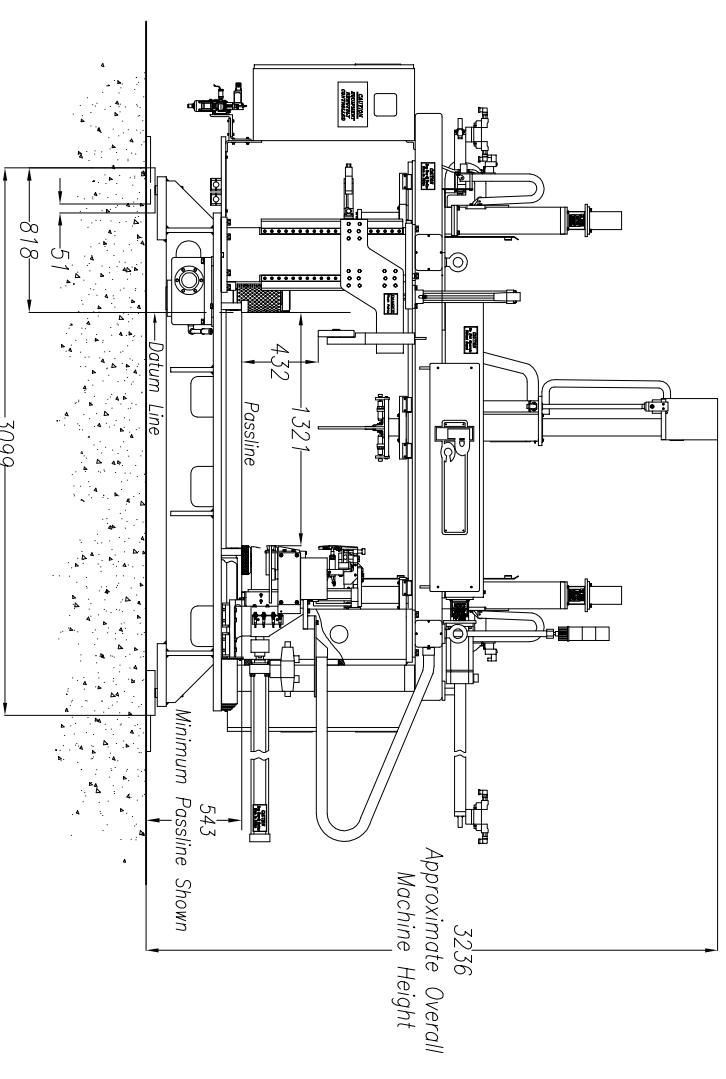
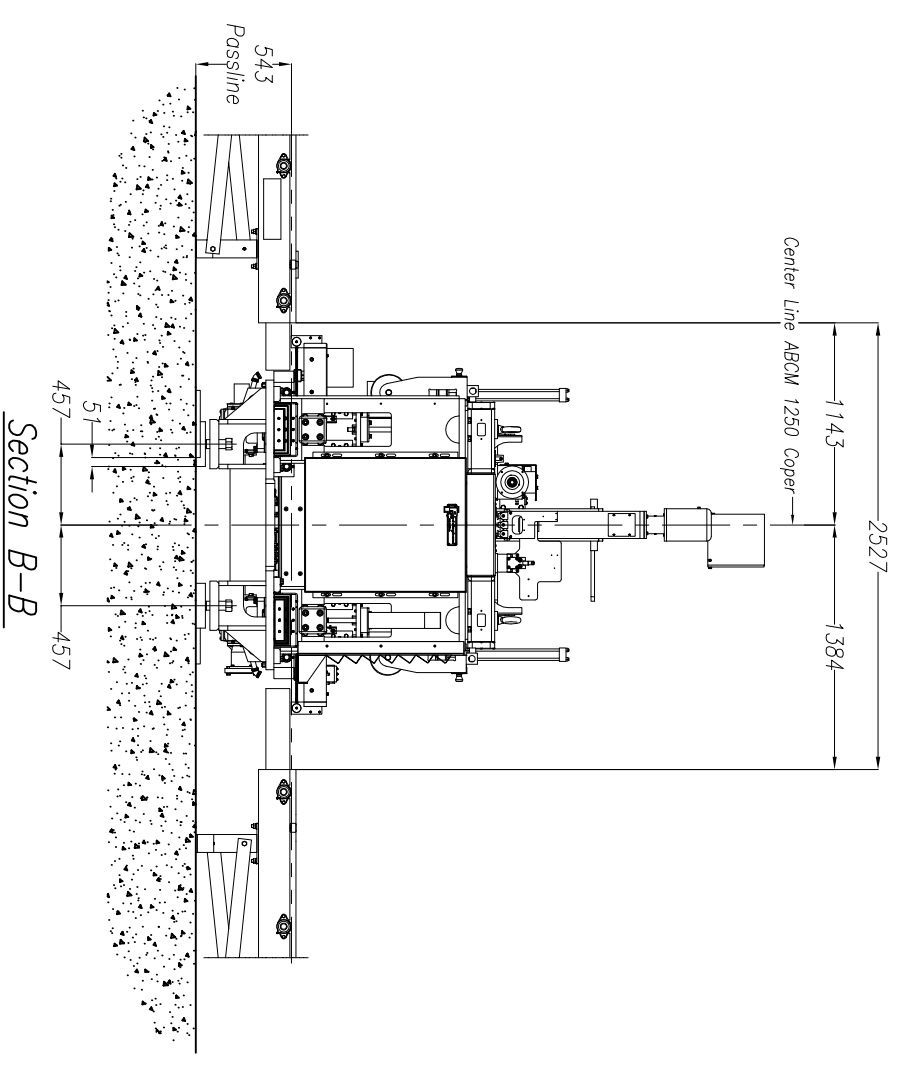


Approximate Machine Weight  
 ABCM 1250 - 7,154 kg

ABCM 1250/3 COPER NOTES:

- 1.) Passline of Equipment Based on 630 mm from Floorline
- 2.) Concrete Under System to be a Minimum of 200mm Thick
- 3.) Primary 380 V., 3 Ph., 50 Hz. [Req'd @ each ]
- 4.) Total kW for Equipment = 26.7 kW (49.6 Amps)
- 5.) Air Requirement: 5.52 bar 0.57 SCMM Min. Free Air [Req'd @ each ]
- 6.) Cutting Oxygen: 34 SCMH [Req'd @ each ]
- 7.) Acetylene Gas: 2.55 SCMH [Req'd @ each ]
- 8.) Anchor Bolts (Machine & Safety Stands) 20mm Anchor Bolt or Equal [20 Req'd]
- 9.) Anchor Bolts (Crossover/Control Platform) 12mm Anchor Bolt or Equal [8 Req'd]
- 10.) Hydraulic Oil [NYVAC FR 200 Water-Glycol, Fire Resistant Hydraulic Fluid or Equal] (Req'd @ Each ) {113.5 L.Total}
- 11.) Network/Internet Connection for Data Transfer and Remote Diagnostics [Req'd @ Each ]

**IMPORTANT NOTE!! SPECIAL HYDRAULIC OIL REQUIRED READ ALL NOTES ABOVE**



Section A-A  
 (LEFT SIDE VIEW)

Approximate Overall  
 Machine Height

E					
D					
C					
B					
A					
LET	REVISION/CA#	BY	DATE	THIS PRINT IS THE PROPERTY OF PEDDINGHAUS CORP. AND IS NOT TO BE USED IN ANY MANNER DETRIMENTAL TO THE INTERESTS OF SAID COMPANY.	
				<b>Peddinghaus Corp.</b> BRADLEY, ILL. U.S.A. ABCM 1250/3D Coping Machine for Alfabs Engineering DRAWN BY: <i>J. Marklin</i> SCALE: 1 : 20 DATE: 2/3/11 DRWG. NO. February 3, 2011	
IMPORTANT Safety Note Because of the difficulty to effectively guard the full length of the system, it is the customer's responsibility to prevent access by unauthorized personnel and to provide safe crossing.					
Sheet 1 of 2					