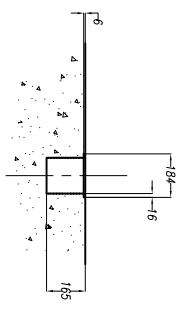
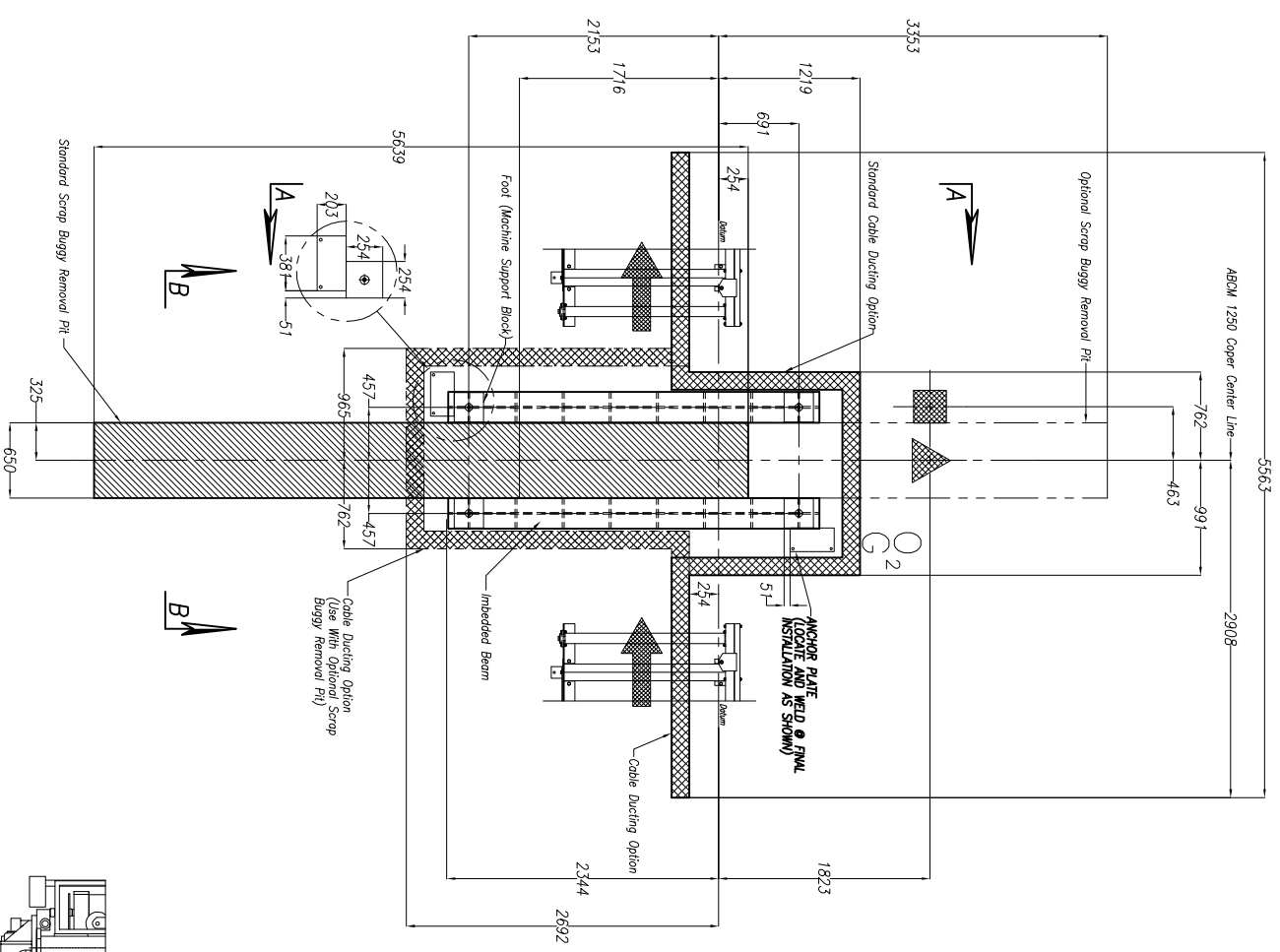
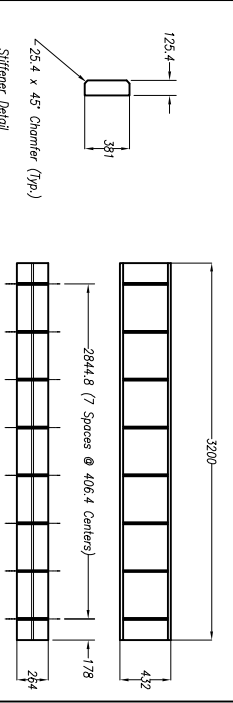


**!!!NOTE: DO NOT DRILL HOLES FOR ANCHOR PLATES UNTIL MACHINE IS IN PLACE AND LEVEL AT FINAL INSTALLATION!!!**



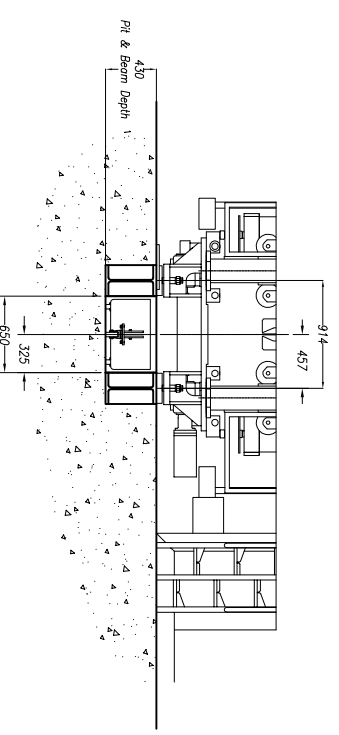
CABLE DUCT DETAIL

CUSTOMER TO SUPPLY COVER, 6mm THICK X 184mm WIDE INSTALLED AFTER FINAL FIELD WIRING & PENS

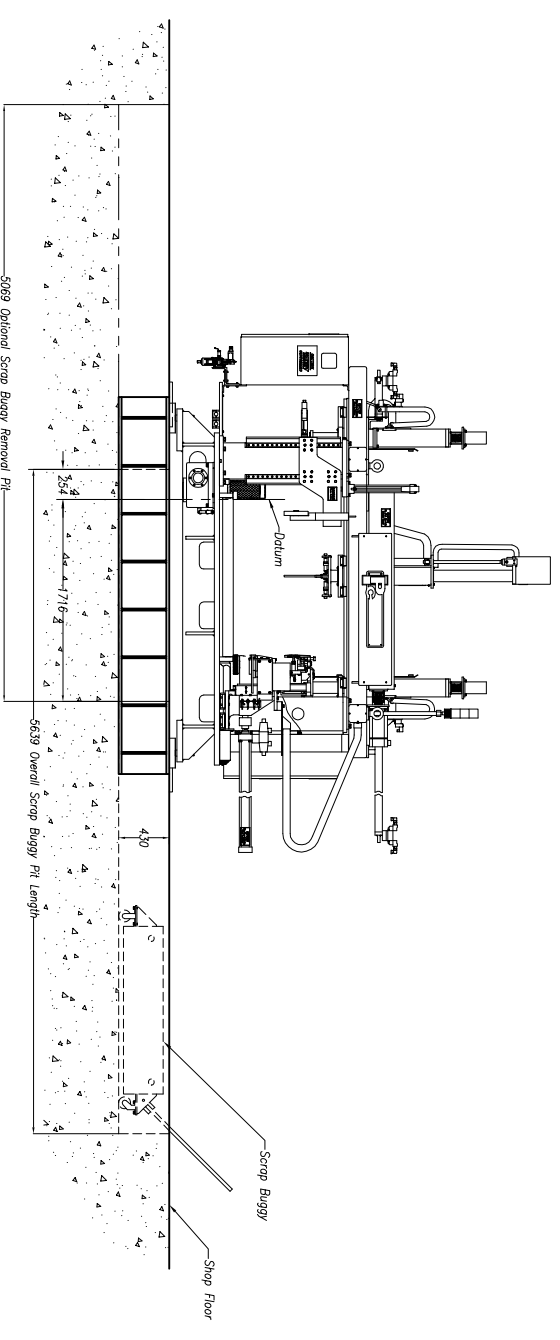


NOTE:  
 (18) Stiffeners Per Beam  
 (32) Total-Weld in Place  
 Min 6mm Weld (Minimum)

**C 25/38 x 200mm THICK CONCRETE RECOMMENDED UNDER ALL EQUIPMENT**



Section B-B



Section A-A  
(LEFT SIDE VIEW)

*Imbedded Beams For Machines Processing Beams 408kg/M Or Less Are NOT Required, But ARE Recommended. Imbedded Beams For Machines Processing Beams Larger Than 408kg/M ARE Required.*

Customer Note:

- 1.) Scrap Buggy Pit IS NOT Req'd When Machine Passline Is 762mm Or Greater. However A Pit Is Recommended For Larger Scrap Buggy Capacity.
- 2.) Imbedded Beams With Stiffeners ARE Req'd Regardless Of Scrap Buggy Pit Use.
- 3.) A Minimum Of 200mm Of Concrete Is Req'd Beneath All Pits & Beams.

Peddinghaus Corp.		IMPORTANT SAFETY NOTE	
BRADLEY, ILL. U.S.A.		Because of the difficulty to effectively guard the full length of the system, it is the customer's responsibility to prevent access by unauthorized personnel and to provide safe crossing.	
ABCM 1250/3D Coping Machine		DRAWN BY: SCALE: 1 : 30 DATE:	
for		J. Mawlin DRWG. NO.	
LET	REVISION/CA.#	BY	DATE

THIS PRINT IS THE PROPERTY OF PEDDINGHAUS CORP. AND IS NOT TO BE USED IN ANY MANNER DETRIMENTAL TO THE INTERESTS OF SAID COMPANY.