

- 1) Passline of Equipment based on 35.43' [900] from Floor-Line
- 2) Concrete Floor under System to be a Minimum of 6" Thick
- 3) Total K.V.A. for Equipment = 27 K.V.A. (30.4 Amps) @ 460/3/60  
Total K.V.A. for Equipment = 32 K.V.A. (43.2 Amps) @ 400/3/50

- 4a) Primary 460 V., 3 Ph., 60 Hz., [Req'd @ Each ]
- 4b) Hydraulic Oil (Mobil DTE #24 or Equal) [Req'd @ Each ] 55 Gal. Total
- 4c) Temperatures below 50°F (10°C) are expected on a normal basis  
a Mobil (DTE 13M\*) Hydraulic oil is recommended.
- 4d) Air Requirements: 90 PSIG, 20 SCFM [Req'd @ Each ]  
Analog Phone Line for Remote Diagnostic And Support: [Req'd @ ]

System layouts are for reference only. It is not Peddinghaus Corporation's responsibility to fully analyze your plant layout, structure material flow, and/or traffic patterns. It is the customer's responsibility to evaluate possible layout alternatives and determine system location. Approval drawings show the system in your selected location.

- 5a) Material Bed: 5/8" Ramset/Red Head Brand #HN-3440 "Dynabolt" OR #WS-5842 Or #WS-5850 "Trubolt" or Equal [76 Req'd]

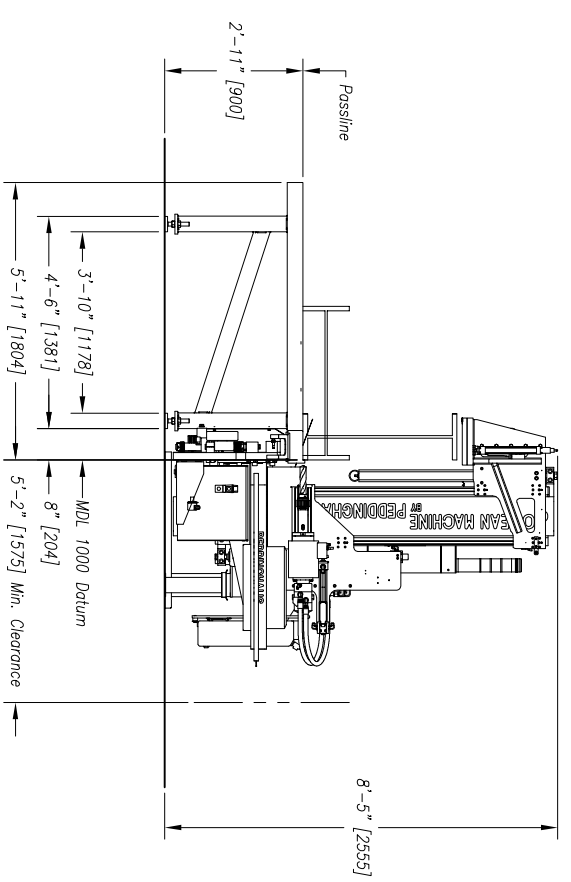
**DRILL COOLANT RECOMMENDATION:**  
USE TRI CHEM "KLEAR KUT" HEAVY DUTY COOLANT (THIS WILL WORK WITH ANY VARIANCE OF WATER HARDNESS.)  
THIS PRODUCT MUST BE ADDED TO THE WATER, NOT THE OTHER WAY AROUND (DO NOT ADD WATER TO THIS PRODUCT!) USE APPROX 1:30 PRODUCT TO WATER RATIO FOR STANDARD DUTY APPLICATIONS TO APPROX. 1:10 PRODUCT TO WATER RATIO FOR HEAVY DUTY APPLICATIONS.

**General Notes:**

**Power, Gas, & Fluids**

**Miscellaneous Requirements**

E	REVISION/C/N #	BY	DATE
D			
C			
B			
A			
LET			



**Peddinghaus Corp.**  
BRADLEY, ILL. U.S.A.  
System Layout MDL 1000  
for

IMPORTANT SAFETY NOTE:  
Because of the potential for injury, the full length of the system is the customer's responsibility to prevent access by unauthorized persons from the work area.  
DRAWN BY: [Signature]  
SCALE: 1/2" = 1'  
DATE: [Date]  
CHECKED BY: [Signature]  
DWG. NO. [Number]

THIS PRINT IS THE PROPERTY OF PEDDINGHAUS CORP. AND IS NOT TO BE USED IN ANY MANNER DETRIMENTAL TO THE INTERESTS OF SAID COMPANY.