

DRILL COOLANT RECOMMENDATION:
 USE TRI CHEM "KLEAR KUT" HEAVY DUTY COOLANT (THIS WILL WORK WITH ANY VARIANCE OF WATER HARDNESS.) THIS PRODUCT MUST BE ADDED TO THE WATER, NOT THE OTHER WAY AROUND (DO NOT ADD WATER TO THIS PRODUCT!) USE APPROX 1:30 PRODUCT TO WATER RATIO FOR STANDARD DUTY APPLICATIONS TO APPROX. 1:10 PRODUCT TO WATER RATIO FOR HEAVY DUTY APPLICATIONS.

General Notes:

- 1) Passline of Equipment based on 35.43" [900] from Floor-Line
- 2) Concrete Floor under System to be a Minimum of 6" Thick
- 3) Total K.V.A. for Equipment = 27 K.V.A. (30.4 Amps) @ 460/3/60 Total K.V.A. for Equipment = 32 K.V.A. (43.2 Amps) @ 400/3/50

System Layout Note

System layouts are for reference only. It is not Peddinghaus Corporation's responsibility to fully analyze your plant layout, structure material flow, and/or traffic patterns. It is the customer's responsibility to evaluate possible layout alternatives and determine system location. Approval drawings show the system in your selected location.

Power, Gas, & Fluids

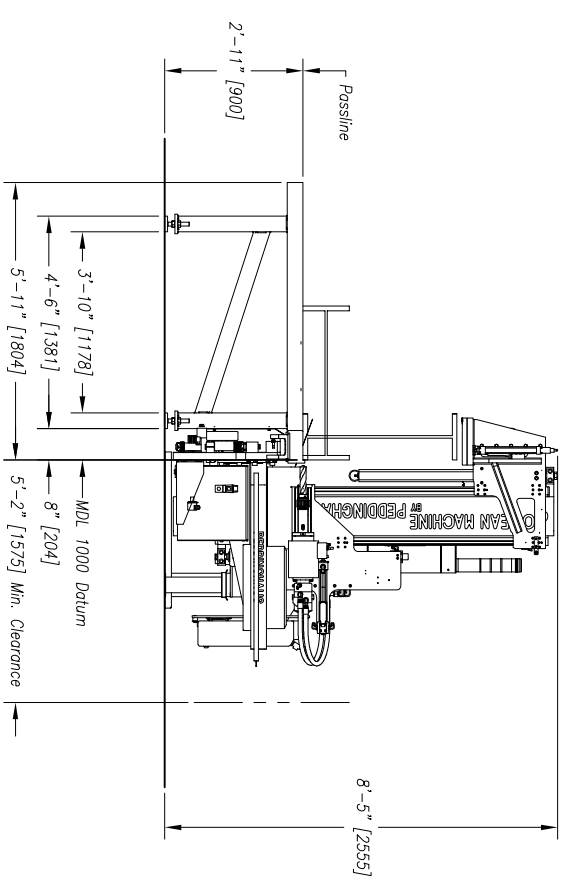
- 4a) Primary 460 V., 3 Ph., 60 Hz., [Req'd @ Each]
- 4b) Hydraulic Oil (Mobil DTE #24 or Equal) [Req'd @ Each] \$55 Gal. Total
- 4c) Temperatures below 50°F (10°C) are expected on a normal basis a Mobil (DTE 13M) Hydraulic oil is recommended.
- 4d) Air Requirements: 90 PSIG, 20 SCFM [Req'd @ Each]

Anchor Bolts

- 5a) Material Req'd: 5/8" Ramset/Red Head Brand #HN-3440 "Dynabolt" OR #WS-5842 Or #WS-5850 "Trubolt" or Equal [100 Req'd]

Miscellaneous Requirements

- 7a) Transit, Sledge Hammers, "C" Clamps, Wrenches
- 7b) Drill for Anchor Bolts
- 7c) 67"-0" Piano Wire
- 7d) (1) Electrician and (2) Maintenance Men
- 7e) Installation area should be cleaned, prepped, and ready for machine installation.
- 7f) Customer MUST Supply a Level Floor for All Equipment.



E					
D					
C					
B					
A					
LET.	REVISION/C/N #	BY	DATE	Peddinghaus Corp. BRADLEY, ILL. U.S.A. System Layout MDL 1000 for	
				IMPORTANT SAFETY NOTE: Because of the weight of the equipment, you must accept the full weight of the system. It is the customer's responsibility to prevent access by unauthorized persons to the system.	
				DRAWN BY: <i>J. Alford</i> SCALE: 1/2" = 1' DATE:	
				DWG. NO.	

THIS PRINT IS THE PROPERTY OF PEDDINGHAUS CORP. AND IS NOT TO BE USED IN ANY MANNER ATTRIBUTABLE TO THE INTERESTS OF SAID COMPANY.