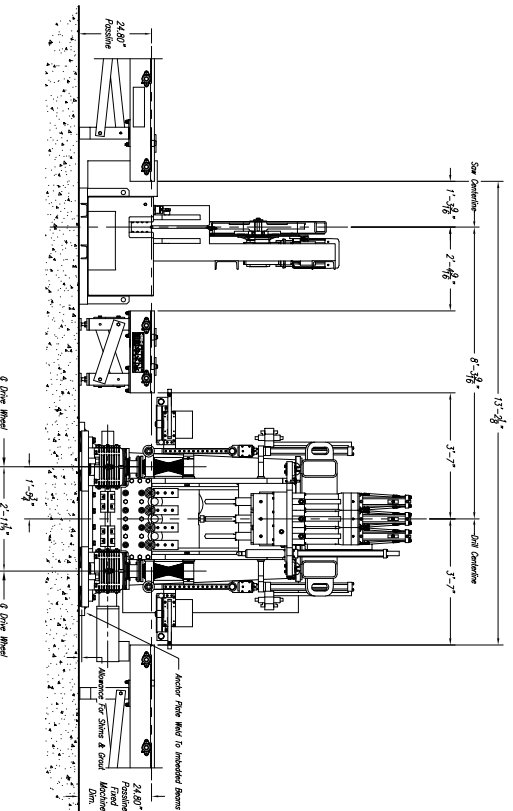
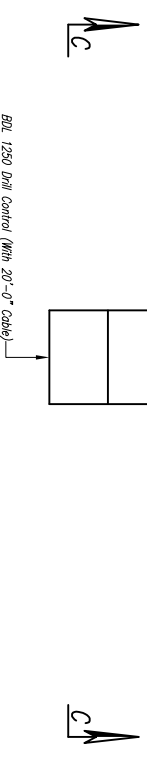
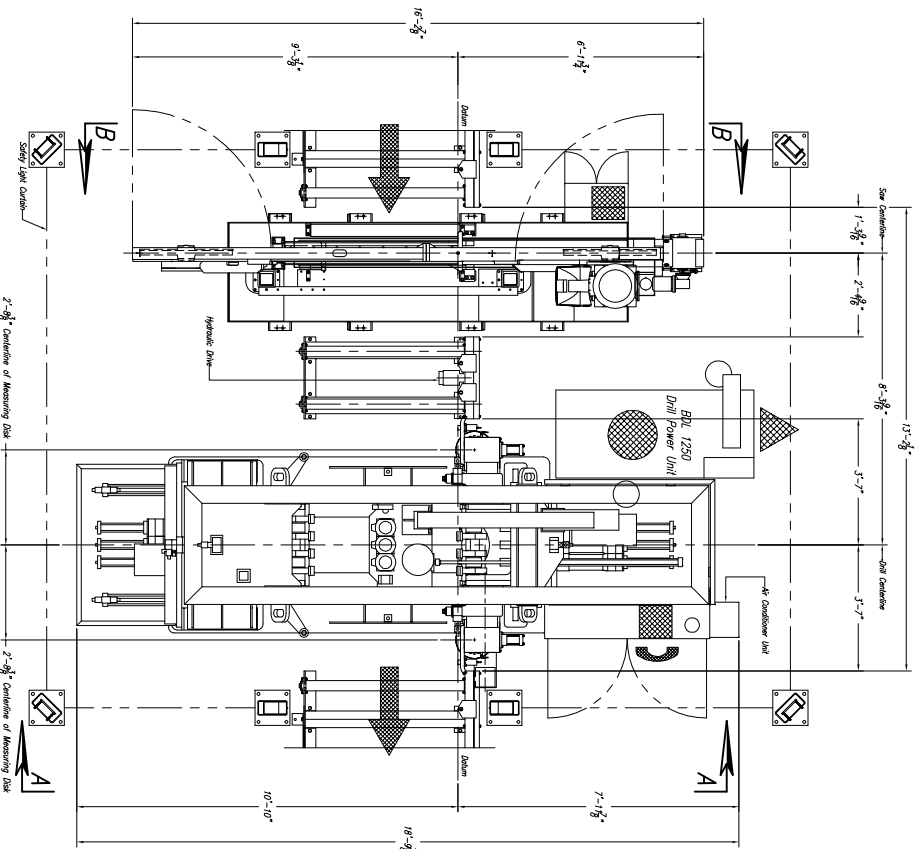


CUSTOMER NOTE!!!!
 All Machines Are Manufactured
 At A 24.8" Passline And
 Require A CUSTOMER SUPPLIED
 Pit Or Platform To Achieve Any
 Other Passline Requested.

Approximate Machine Weight
 BDL 1250 - 26,800 lbs
 1250-510 - 11,105 lbs

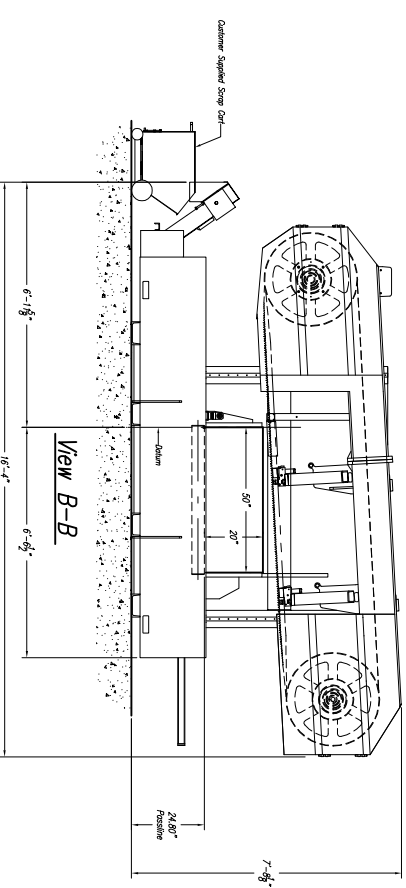


BDL 1250 Drill Notes:

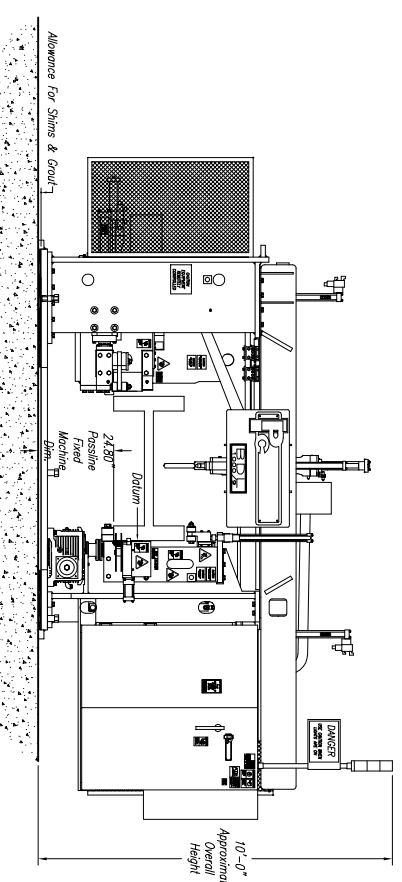
- 1) Passline of Equipment Based on 24.8" from Floorline
- 2) Concrete Under Equipment/Beams & Pits to be a Minimum of 6" Thick
- 3) Primary 460 V., 3 Ph., 60 Hz. [Req'd @ each]
- 4) Total K.V.A. for Equipment = 15 Hp 87 K.V.A. (110 Amps)
- 5) Air Requirement With Out Signoscript: 80 PSIG, 30 SCFM Min. Free Air [Req'd @ each]
- 6) Hydraulic Oil (Mobil DTE #24 Or Equal) [Req'd @ Each] 120 Gal. Total!
- 7) Anchor Bolts (Control Stand) 1/2" TW Red Head WS-1270 Or Equal [4 Req'd]
- 8) Anchor Bolts (Machine & Safety Stands) 3/4" TW Red Head WS-3470 Or Equal [28 Req'd]
- 9) Network/Internet Connection for Data Transfer and Remote Diagnostics [Req'd @ Each]

1250 Bond Saw Notes:

- 1) Passline of Equipment Based on 24.8" from Floorline
- 2) Concrete Under Equipment/Beams & Pits to be a Minimum of 6" Thick
- 3) Primary 460 V., 3 Ph., 60 Hz. [Req'd @ each]
- 4) Total K.V.A. for Equipment = 39 K.V.A. (49 Amps)
- 5) Air Requirement: 90 PSIG, 2 SCFM Min. Free Air [Req'd @ Saw]
- 6) Anchor Bolts (Control Stand) 1/2" TW Red Head WS-1270 Or Equal [7 Req'd]
- 7) Anchor Bolts (Machine & Safety Stands) 3/4" TW Red Head WS-3470 Or Equal [24 Req'd]
- 8) Saw Coolant: Peddi Cool 1 Gal. Req'd!



DRILL SPINDLE GEARBOX LUBRICANT:
 SEE MANUAL FOR DRILL SPINDLE GEARBOX LUBRICANT RECOMMENDATION
DRILL COOLANT RECOMMENDATION:
 SEE MANUAL FOR DRILL COOLANT RECOMMENDATIONS
SAW COOLANT RECOMMENDATION:
 USE PEDDINGHAUS "PEDDI COOL" VEGETABLE BASE COOLANT
 THIS PRODUCT IS FOR MIST COOLANT SYSTEMS
 DO NOT MIX THIS COOLANT WITH WATER



REV.	REVISION/C/N #	BY	DATE
E			
D			
C			
B			
A			
LET			

Peddinghaus Corp.
 BRANDY, ILL. U.S.A.
 BDL 1250 9 Spindle Drill
 & 1250-510 90° Cut Bond Saw
 For

URGENT SAFETY NOTE: Because of the complexity of this system, the manufacturer assumes full responsibility to prevent access by unauthorized persons to the system. It is the customer's responsibility to ensure that the system is properly installed and maintained. For more information, contact the manufacturer at the address or phone number listed below.
 DRAWN BY: *J. Alford* SCALE: 3/8" = 1" DATE: _____
 DWG. NO. _____