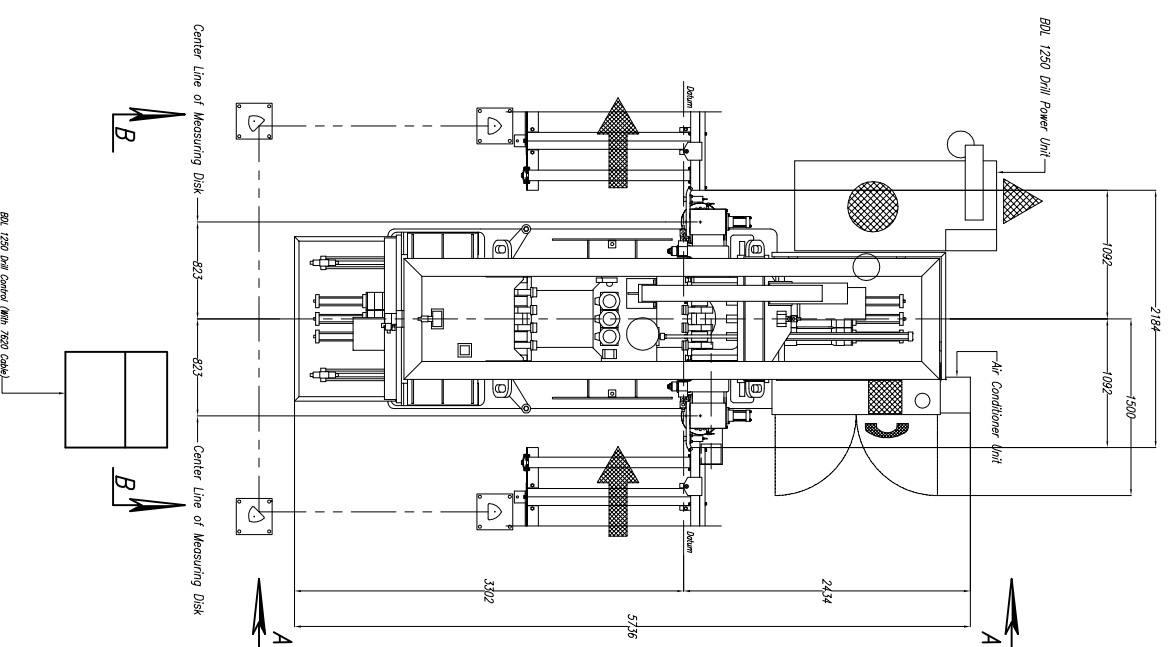
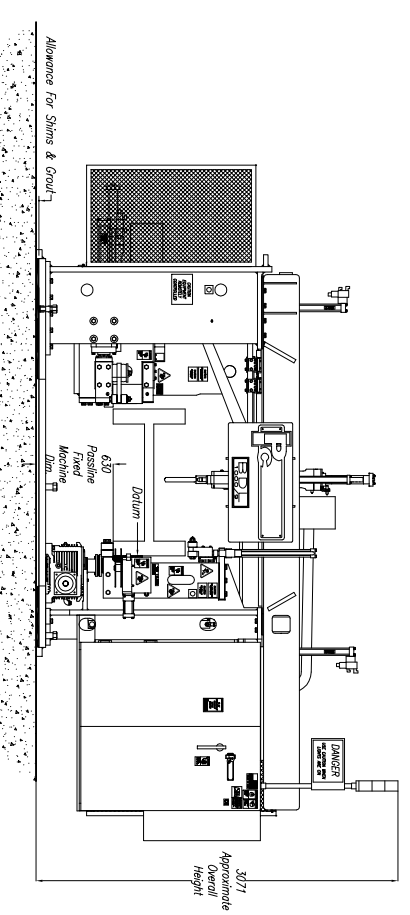


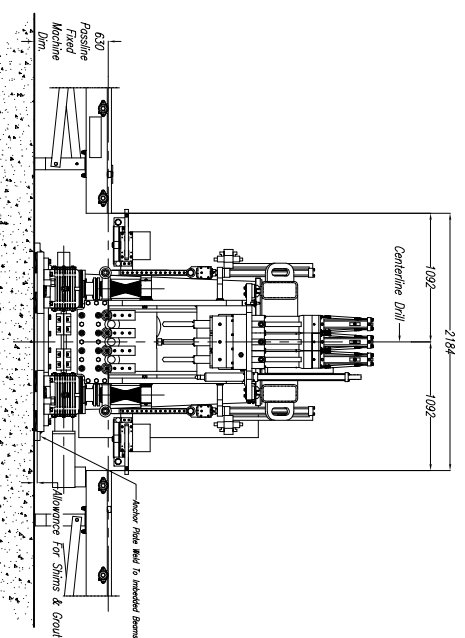
CUSTOMER NOTE!!!!
 BDL 1250 Drill is Manufactured
 At A 630mm Passline And
 Requires A CUSTOMER SUPPLIED
 Pit Or Platform To Achieve Any
 Other Passline Requested.



Approximate Machine Weight
 BDL 1250 – 12,156kg



View A-A
(RIGHT SIDE VIEW)



View B-B

BDL 1250 Drill NOTES:

- 1) Passline of Equipment Based on 630mm from Floorline
- 2) Concrete Under Equipment/Beams & Pits to be a Minimum of 200mm Thick
- 3) Primary 380 V., 3 Ph., 50 Hz. [Req'd @ each]
- 4) Total KW for Equipment = 15 HP 70 KW (133 Amps)
- 5) Air Requirement With Out Signoscript: 5.52 bar, 0.85 SCMM Min. Free Air [Req'd @ each]
 Air Requirement With Signoscript: 5.52 bar, 1.42 SCMM Min. Free Air [Req'd @ each]
- 6) Hydraulic Oil (Mobil DTE #24 Or Equal) [Req'd @ Each] 1454 L Total
- 7) Anchor Bolts (Control Stand) 12mm Anchor Bolt Or Equal [4 Req'd]
- 8) Anchor Bolts (Machine) 20mm Anchor Bolt Or Equal [12 Req'd]
- 9) Analog Phone Line for Remote Diagnostic And Support. [Req'd @ Each]

DRILL COOLANT RECOMMENDATION:
 SEE MACHINE MANUAL FOR DRILL COOLANT RECOMMENDATIONS
DRILL SPINDLE GEARBOX LUBRICANT:
 SEE MACHINE MANUAL FOR SPINDLE GEARBOX RECOMMENDATIONS

Peddinghaus Corp.		IMPORTANT Safety Note:	
BRADLEY, ILL. U.S.A.		Because of the difficulty to effectively guard the full length of the system it is the customers responsibility to prevent access by unauthorized personnel and to provide safe crossing.	
BDL 1250 B 9 Spindle Drill		DRAWN BY:	SCALE: 1:30
For		DATE:	
REVISION/C.N.#		BY	DATE
LET		THIS PRINT IS THE PROPERTY OF PEDDINGHAUS CORP. AND IS NOT TO BE USED IN ANY MANNER DETRIMENTAL TO THE INTERESTS OF SAID COMPANY.	
		<i>G. Marklin</i>	DRWG. NO.