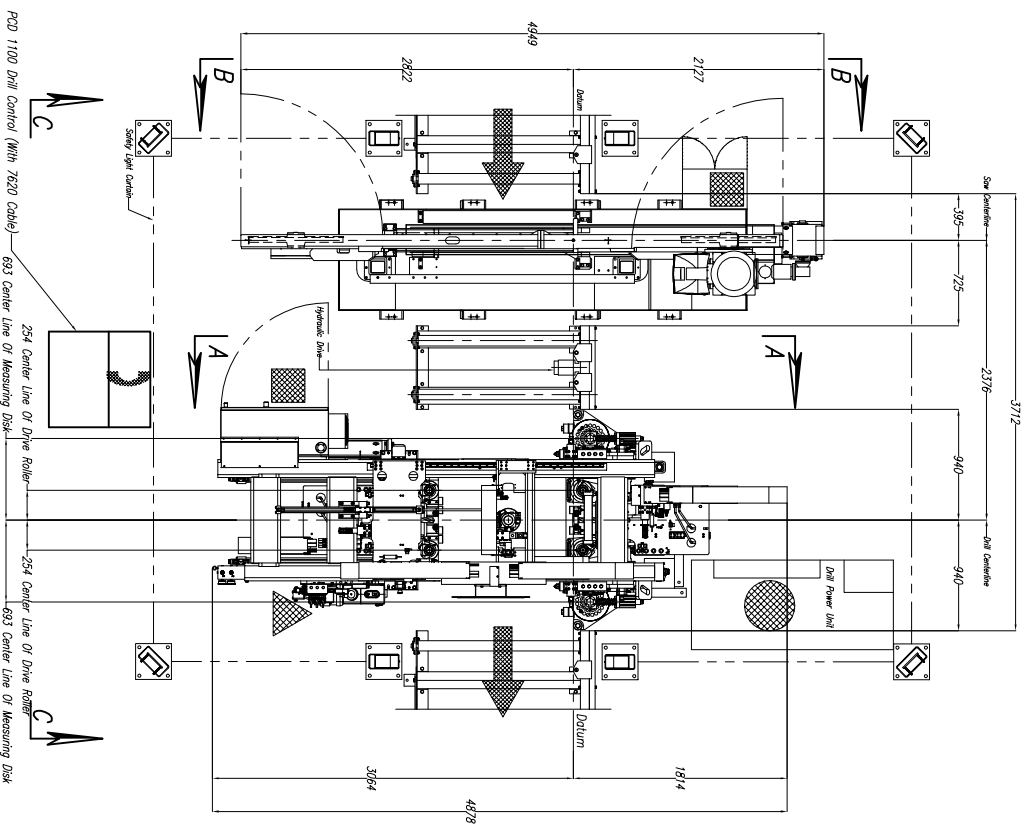
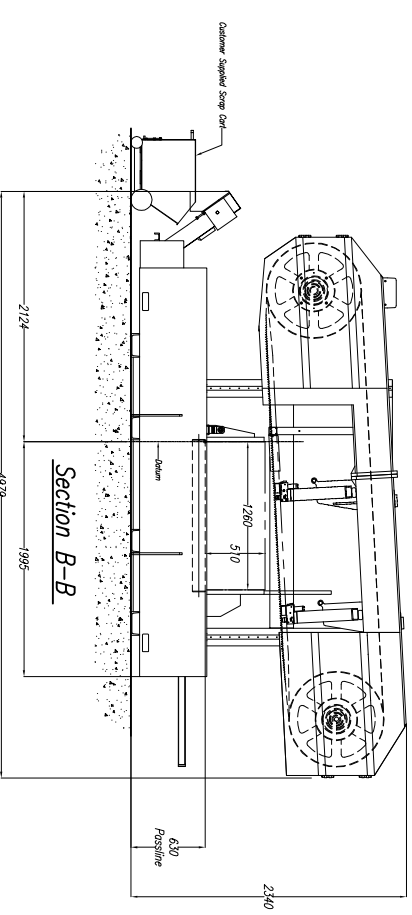
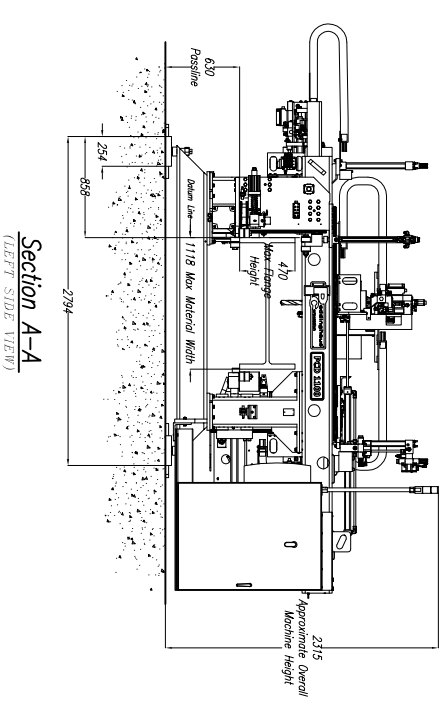


CUSTOMER NOTE!!!!
 This Saw Is Manufactured At A 630mm Passline And Requires A CUSTOMER SUPPLIED Pit Or Platform To Achieve Any Other Passline Requested.



Approximate Machine Weight
 PCD 1100 – 4,763 kg
 1250 Saw – 5,037 kg



1250 Band Saw NOTES:

- 1.) Passline of Equipment Based on 24.8" from Floorline
- 2.) Concrete Under Equipment/Beams & Pits to be a Minimum of 6" Thick
- 3.) Primary 460 V., 3 Ph., 60 Hz. [Req'd @ each]
- 4.) Total K.V.A. for Equipment = 39 K.V.A. (49 Amps)
- 5.) Air Requirement: 90 PSIG, 2 SCFM Min. Free Air [Req'd @ Saw]
- 6.) Anchor Bolts (Control Stand) 1/2" ITW Red Head WS-1270 Or Equal [7 Req'd]
- 7.) Anchor Bolts (Machine & Safety Stands) 3/4" ITW Red Head WS-3470 or Equal [24 Req'd]
- 8.) Saw Coolant: Peddi Cool 1 Gal. Req'd

PCD 1100/3 Drill NOTES:

- 1.) Passline of Equipment Based on 630mm from Floorline
- 2.) Concrete Under System to be a Minimum of 200mm Thick
- 3.) Primary 460 V., 3 Ph., 60 Hz. [Req'd @ each]
- 4.) Total kW for Equipment = 81.6 kW (138 Amps)
- 5.) Air Requirement With Out Signoscript: 5.52 bar, 0.85 SCMM Min. Free Air [Req'd @ each]
- 6.) Hydraulic Oil (Mobil DPE #24 or Equal) [Req'd @ Each] 1454 L. Total
- 7.) Anchor Bolts (Control Stand) 12mm ITW Red Head WS-1270 or Equal [4 Req'd]
- 8.) Anchor Bolts (Machine & Safety Stands) 20mm ITW Red Head WS-3470 or Equal [24 Req'd]
- 9.) Network/Internet Connection for Data Transfer and Remote Diagnostics [Req'd @ Each]

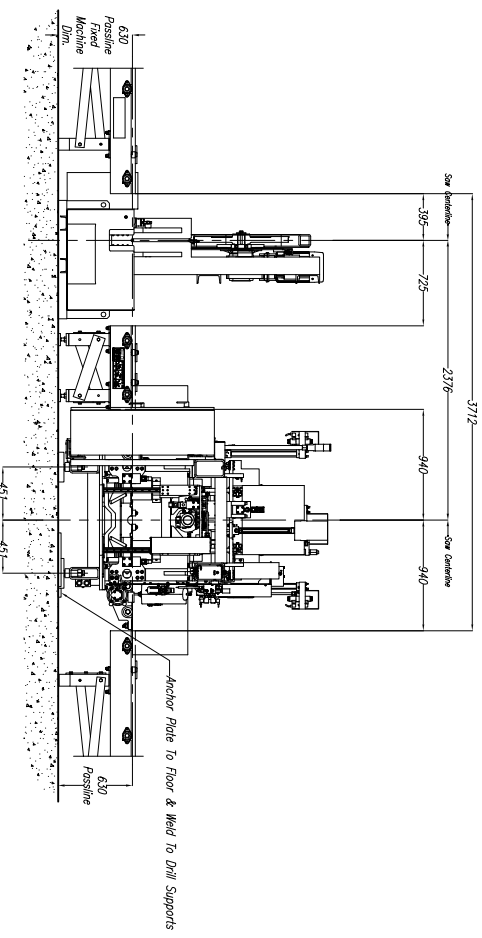
Peddinghaus Corp.
 BRADLEY, ILL. U.S.A.

PCD 1100/3B Drill
 & 1250-510 Band Saw
 for

IMPORTANT Safety Note!
 Because of the difficulty to effectively guard the full length of the system it is the customer's responsibility to prevent access by unauthorized personnel and to provide safe crossing.
 DRAWN BY: SCALE: 1 : 30 DATE:
 J. Markin DRWG. NO.

REV.	REVISION/C.N.#	BY	DATE
E			
D			
C			
B			
A			
LET.			

THIS PRINT IS THE PROPERTY OF PEDDINGHAUS CORP. AND IS NOT TO BE USED IN ANY MANNER DETRIMENTAL TO THE INTERESTS OF SAID COMPANY.



Section C-C

SAW COOLANT RECOMMENDATION:
 USE PEDDINGHAUS "PEDDI COOL" VEGEBABLE BASE COOLANT
 THIS PRODUCT IS FOR MIST COOLANT SYSTEMS
 DO NOT MIX THIS COOLANT WITH WATER

DRILL COOLANT RECOMMENDATION:
 STEEL MANUAL FOR DRILL COOLANT RECOMMENDATIONS

