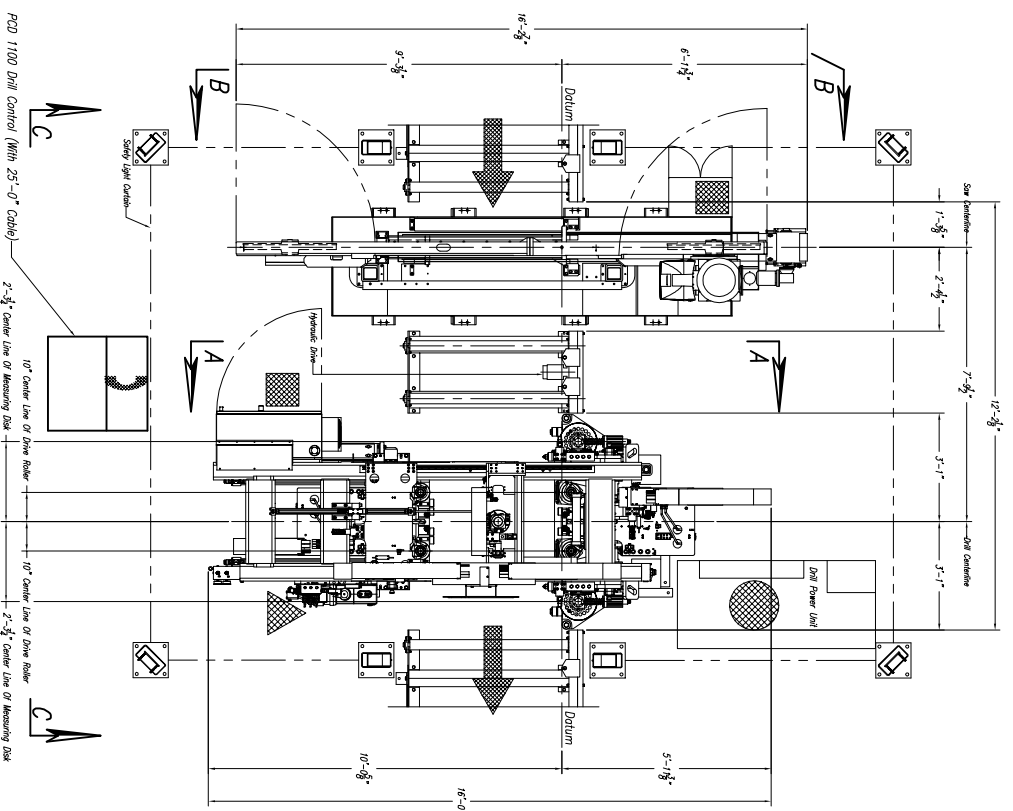
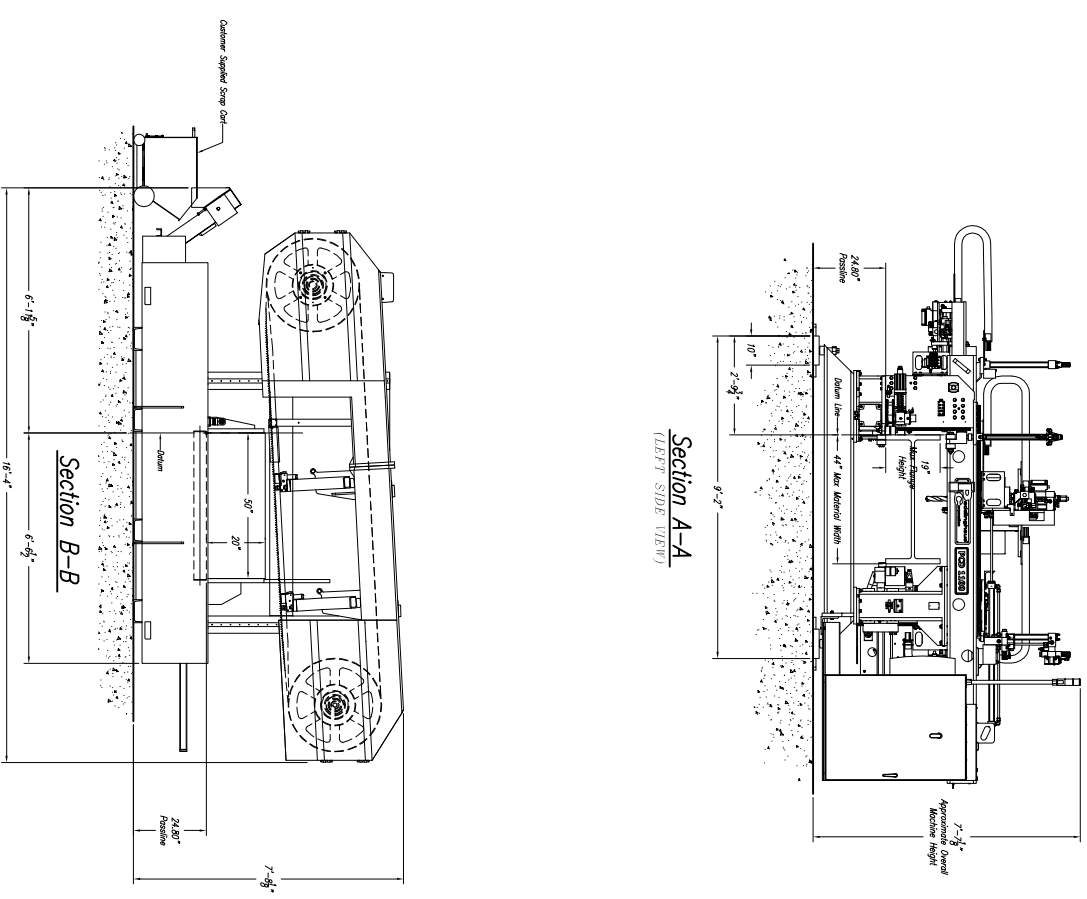
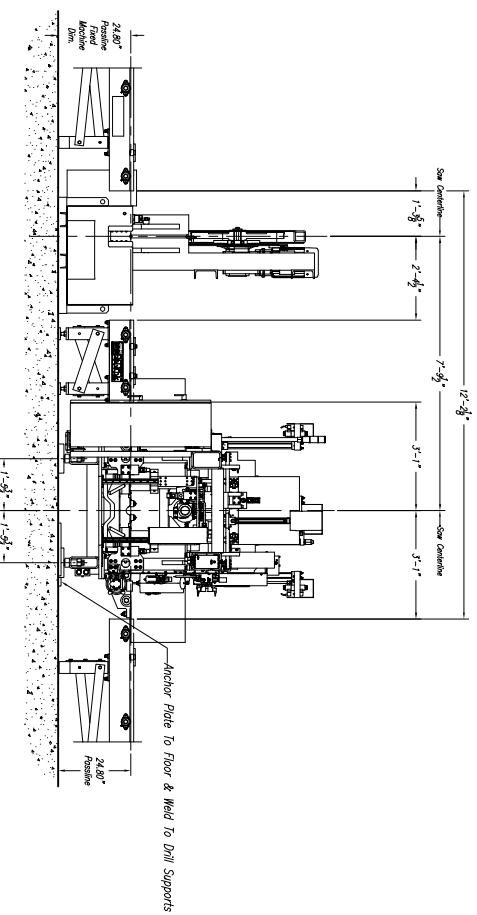


**CUSTOMER NOTE!!!!**  
 This Saw Is Manufactured  
 At A 24.8" Passline And  
 Requires A **CUSTOMER SUPPLIED**  
 Pit Or Platform To Achieve Any  
 Other Passline Requested.



**Approximate Machine Weight**  
 PCD 1100 – 10,500 lbs  
 1250 Saw – 11,105 lbs



**1250 Band Saw NOTES:**

- 1.) Passline of Equipment Based on 24.8" from Floorline
- 2.) Concrete Under System to be a Minimum of 6" Thick
- 3.) Primary 460 V., 3 Ph., 60 Hz. [Req'd @ each ]
- 4.) Total KVA for Equipment = 90.7 KVA. (114 Amps)
- 5.) Air Requirement With Out Signoscript: 80 PSIG. 30 SCFM Min. Free Air [Req'd @ each ]
- 6.) Air Requirement With Signoscript: 80 PSIG. 50 SCFM Min. Free Air [Req'd @ each ]
- 7.) Hydraulic Oil (Mobil DTE #24 or Equal) [Req'd @ Each ] 1120 Gal. Total
- 8.) Anchor Bolts (Control Stand) 1/2" ITW Red Head WS-1270 or Equal [4 Req'd]
- 9.) Anchor Bolts (Machine & Safety Stands) 3/4" ITW Red Head WS-3470 or Equal [24 Req'd]
- 10.) Saw Coolant: Peddi Cool 1 Gal. Req'd

**PCD 1100/3 Drill NOTES:**

- 1.) Passline of Equipment Based on 24.8" from Floorline
- 2.) Concrete Under System to be a Minimum of 6" Thick
- 3.) Primary 460 V., 3 Ph., 60 Hz. [Req'd @ each ]
- 4.) Total KVA for Equipment = 90.7 KVA. (114 Amps)
- 5.) Air Requirement With Out Signoscript: 80 PSIG. 50 SCFM Min. Free Air [Req'd @ each ]
- 6.) Hydraulic Oil (Mobil DTE #24 or Equal) [Req'd @ Each ] 1120 Gal. Total
- 7.) Anchor Bolts (Control Stand) 1/2" ITW Red Head WS-1270 or Equal [4 Req'd]
- 8.) Anchor Bolts (Machine & Safety Stands) 3/4" ITW Red Head WS-3470 or Equal [24 Req'd]
- 9.) Network/Internet Connection for Data Transfer and Remote Diagnostics [Req'd @ Each ]

**S/W COOLANT RECOMMENDATION:**  
 USE PEDDINGHAUS "PEDDI COOL" VEGETABLE BASE COOLANT  
 THIS PRODUCT IS FOR MIST COOLANT SYSTEMS  
 DO NOT MIX THIS COOLANT WITH WATER

**DRILL COOLANT RECOMMENDATION:**  
 SEE MANUAL FOR DRILL COOLANT RECOMMENDATIONS

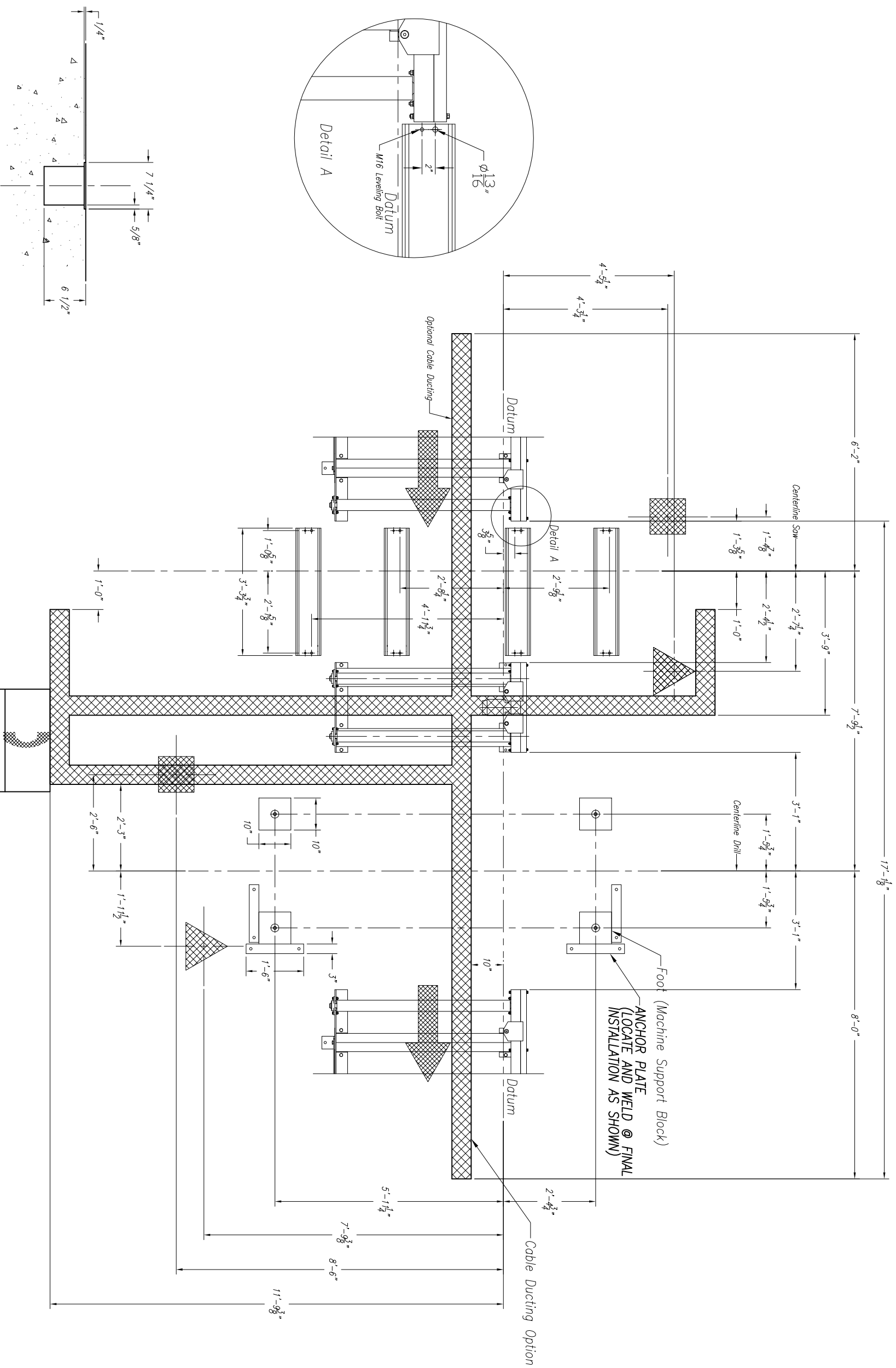
|      |  |  |  |  |  |  |  |  |  |
|------|--|--|--|--|--|--|--|--|--|
| E    |  |  |  |  |  |  |  |  |  |
| D    |  |  |  |  |  |  |  |  |  |
| C    |  |  |  |  |  |  |  |  |  |
| B    |  |  |  |  |  |  |  |  |  |
| A    |  |  |  |  |  |  |  |  |  |
| LET. |  |  |  |  |  |  |  |  |  |

|                             |  |                           |  |
|-----------------------------|--|---------------------------|--|
| Peddinghaus Corp.           |  | IMPROVANT Safety Net      |  |
| BRADLEY, ILL. U.S.A.        |  | to be used with the       |  |
| PCD 1100/3B Drill           |  | responsibility to provide |  |
| & 1250-510 Band Saw         |  | access by unauthorized    |  |
| FOR                         |  | personnel and to provide  |  |
| DRAWN BY: <i>G. Markley</i> |  | safe crossing.            |  |
| DATE:                       |  | SCALE: 3/8" = 1"          |  |
|                             |  | DRWG. NO.:                |  |

THIS PRINT IS THE PROPERTY OF PEDDINGHAUS CORP. AND IS NOT TO BE USED IN ANY MANNER DETRIMENTAL TO THE INTERESTS OF SAID COMPANY.

**!!!NOTE: DO NOT DRILL HOLES FOR ANCHOR PLATES UNTIL MACHINE IS IN PLACE AND LEVEL AT FINAL INSTALLATION!!!**



**CABLE DUCT DETAIL**

CUSTOMER TO SUPPLY COVER: 1/4" THK. X 7-1/4" WIDE  
 INSTALLED AFTER FINAL FIELD WIRING & PIPING

| REVISION/C.N.# | BY | DATE |
|----------------|----|------|
| E              |    |      |
| D              |    |      |
| C              |    |      |
| B              |    |      |
| A              |    |      |
| LET            |    |      |

**Peddinghaus Corp.**  
 BRADLEY, ILL. U.S.A.  
 PCD 1100 Drill 3 Spindle  
 & 1250-510 Bond Saw  
 For

**IMPORTANT SAFETY NOTE:**  
 Because of the potential for injury, the user must read the full length of the manual to understand the proper use and limitations of the system. It is the customer's responsibility to prevent access by unauthorized persons to the system. The user must read the manual before use.  
 DRAWN BY: *g/Markon* SCALE: 3/4" = 1" DATE: \_\_\_\_\_  
 DRWG. NO. \_\_\_\_\_

THIS PRINT IS THE PROPERTY OF PEDDINGHAUS CORP. AND IS NOT TO BE USED IN ANY MANNER DETRIMENTAL TO THE INTERESTS OF SAID COMPANY.