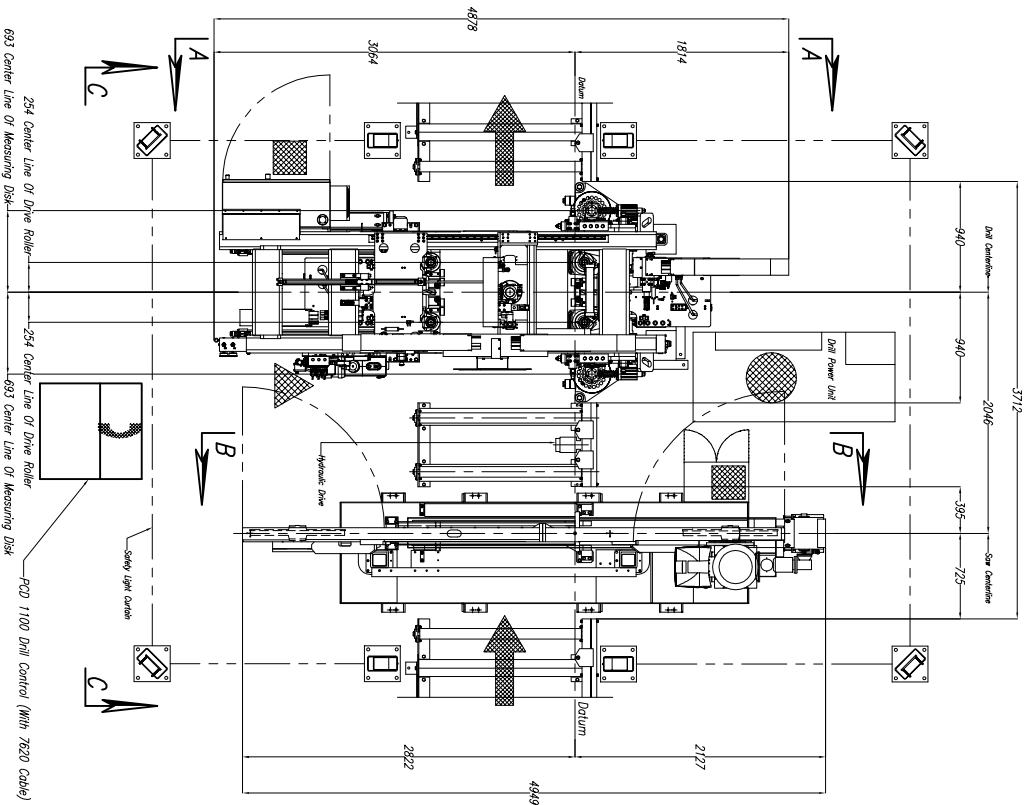
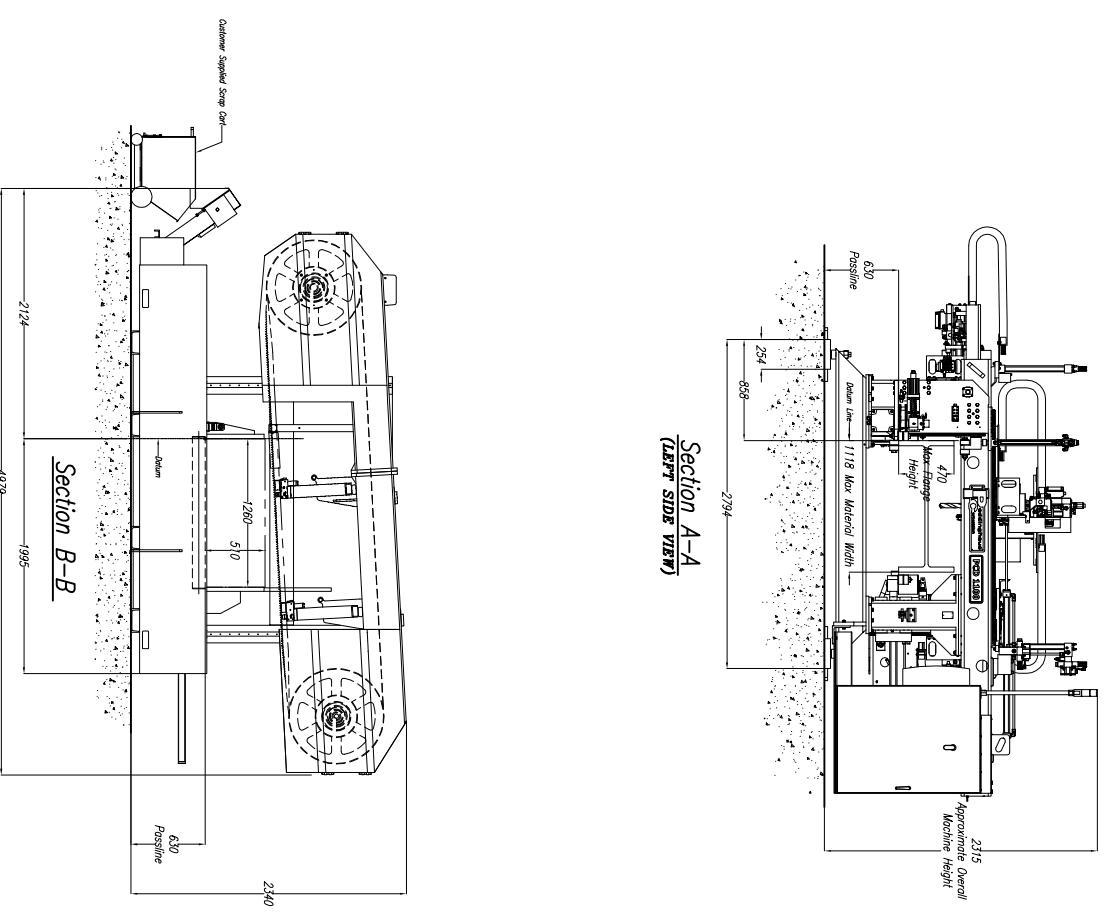
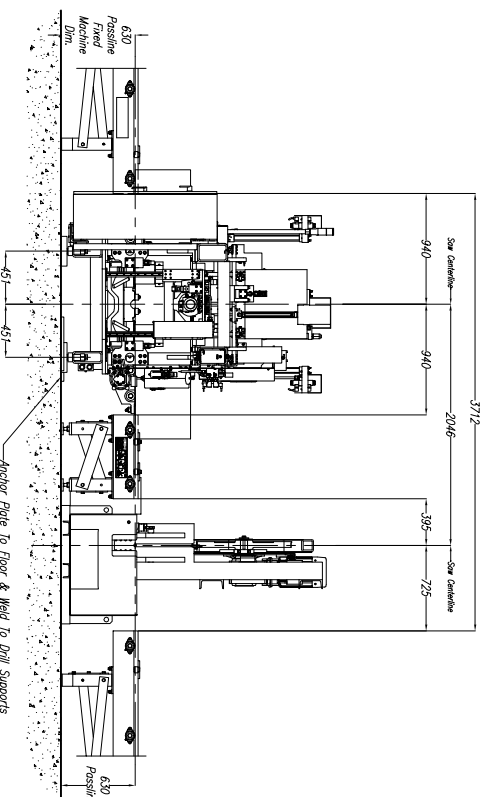


CUSTOMER NOTE!!!!
 This Saw Is Manufactured At A 630mm Passline And Requires A CUSTOMER SUPPLIED Pit Or Platform To Achieve Any Other Passline Requested.



Approximate Machine Weight
 PCD 1100 – 4,763 kg
 1250 Saw – 5,037 kg



- 1250 Band Saw NOTES:**
- 1.) Passline of Equipment Based on 24.8" from Floorline
 - 2.) Concrete Under Equipment/Beams & Pits to be a Minimum of 6" Thick
 - 3.) Primary 460 V., 3 Ph., 60 Hz. [Req'd @ each]
 - 4.) Total K.V.A. for Equipment = 39 K.V.A. (49 Amps)
 - 5.) Air Requirement: 90 PSIG, 2 SCFM Min. Free Air [Req'd @ Saw]
 - 6.) Anchor Bolts (Control Stand) 1/2" ITW Red Head WS-1270 Or Equal [7 Req'd]
 - 7.) Anchor Bolts (Machine & Safety Stands) 3/4" ITW Red Head WS-3470 or Equal [24 Req'd]
 - 8.) Saw Coolant: Peddi Cool 1 Gal. Req'd
- PCD 1100/3 Drill NOTES:**
- 1.) Passline of Equipment Based on 630mm from Floorline
 - 2.) Concrete Under System to be a Minimum of 200mm Thick
 - 3.) Primary 460 V., 3 Ph., 60 Hz. [Req'd @ each]
 - 4.) Total kW for Equipment = 81.6 kW (138 Amps)
 - 5.) Air Requirement With Out Signoscript: 5.52 bar, 0.85 SCMM Min. Free Air [Req'd @ each]
 - 6.) Hydraulic Oil (Mobil DPE #24 or Equal) [Req'd @ Each] 1454 L. Total
 - 7.) Anchor Bolts (Control Stand) 12mm ITW Red Head WS-1270 or Equal [4 Req'd]
 - 8.) Anchor Bolts (Machine & Safety Stands) 20mm ITW Red Head WS-3470 or Equal [24 Req'd]
 - 9.) Network/Internet Connection for Data Transfer and Remote Diagnostics [Req'd @ Each]

SAW COOLANT RECOMMENDATION:
 USE PEDDINGHAUS "PEDDI COOL" VEGETABLE BASE COOLANT
 THIS PRODUCT IS FOR MIST COOLANT SYSTEMS
 DO NOT MIX THIS COOLANT WITH WATER

DRILL COOLANT RECOMMENDATION:
 USE TRIGEM "KLEAR KUT" HEAVY DUTY COOLANT (THIS
 WILL WORK WITH ANY VARIANCE OF WATER HARDNESS.)
 THIS PRODUCT MUST BE ADDED TO THE WATER, NOT
 THE OTHER WAY AROUND (DO NOT ADD WATER TO
 THIS PRODUCT) USE APPROX 1:30 PRODUCT TO WATER
 RATIO FOR STANDARD DUTY APPLICATIONS TO APPROX. 1:10
 PRODUCT TO WATER RATIO FOR HEAVY DUTY APPLICATIONS.

E					
D					
C					
B					
A					
LET.					

THIS PRINT IS THE PROPERTY OF PEDDINGHAUS CORP. AND IS NOT TO BE USED IN ANY MANNER DETRIMENTAL TO THE INTERESTS OF SAID COMPANY.

Peddinghaus Corp.
 BRADLEY, ILL. U.S.A.

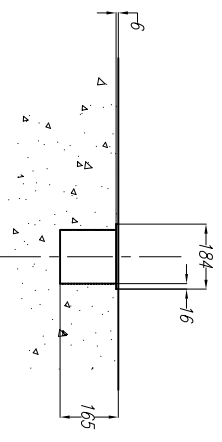
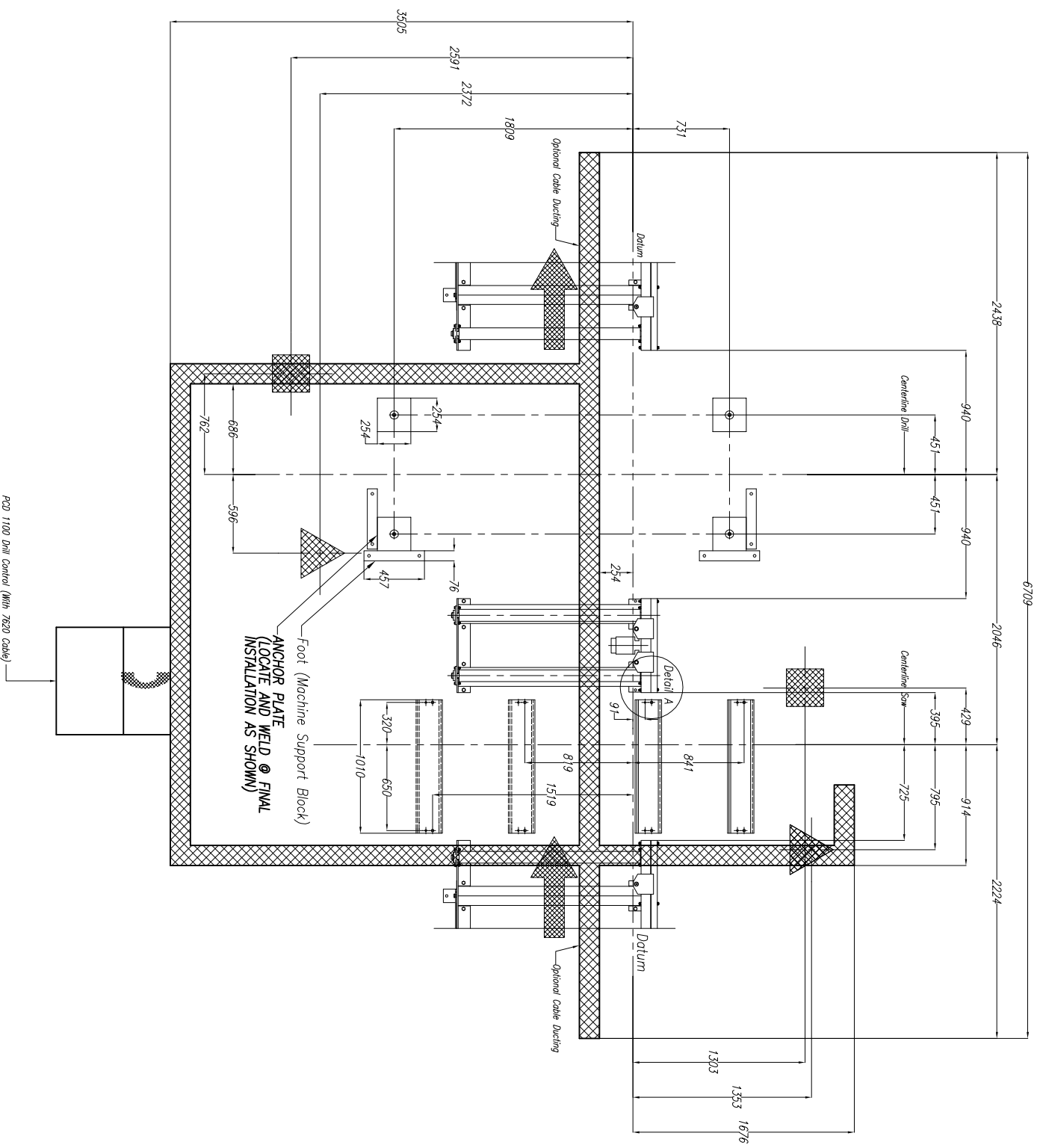
PCD 1100/3B Drill
 & 1250-510 Band Saw
 for

J. Markin
 DRWG. NO.

IMPORTANT Safety Note:
 Because of the difficulty to effectively guard the full length of the system it is the customer's responsibility to prevent access by unauthorized personnel and to provide safe crossing.

SCALE: 1 : 30
 DATE:

!!!NOTE: DO NOT DRILL HOLES FOR ANCHOR PLATES UNTIL MACHINE IS IN PLACE AND LEVEL AT FINAL INSTALLATION!!!



CABLE DUCT DETAIL

CUSTOMER TO SUPPLY COVER: 6mm THK. X 184mm WIDE
 INSTALLED AFTER FINAL FIELD WIRING & PIPING

C 25/38 x 200mm THICK CONCRETE RECOMMENDED UNDER ALL EQUIPMENT

LET.	REVISION/C.N.#	BY	DATE	THIS PRINT IS THE PROPERTY OF PEDDINGHAUS CORP. AND IS NOT TO BE USED IN ANY MANNER RETRIBUTIVE TO THE INTERESTS OF SAID COMPANY.
E				Peddinghaus Corp. BRADLEY, ILL. U.S.A. PCD 1100/3B Drill & 1250-510 Band Saw for
D				
C				
B				
A				

IMPORTANT Safety Note
 Because of the difficulty to effectively guard the full length of the system it is the customer's personal responsibility to provide safe guarding.
 DRAWN BY: *S. Martin* SCALE: 1:20 DATE:
 DRWG. NO.