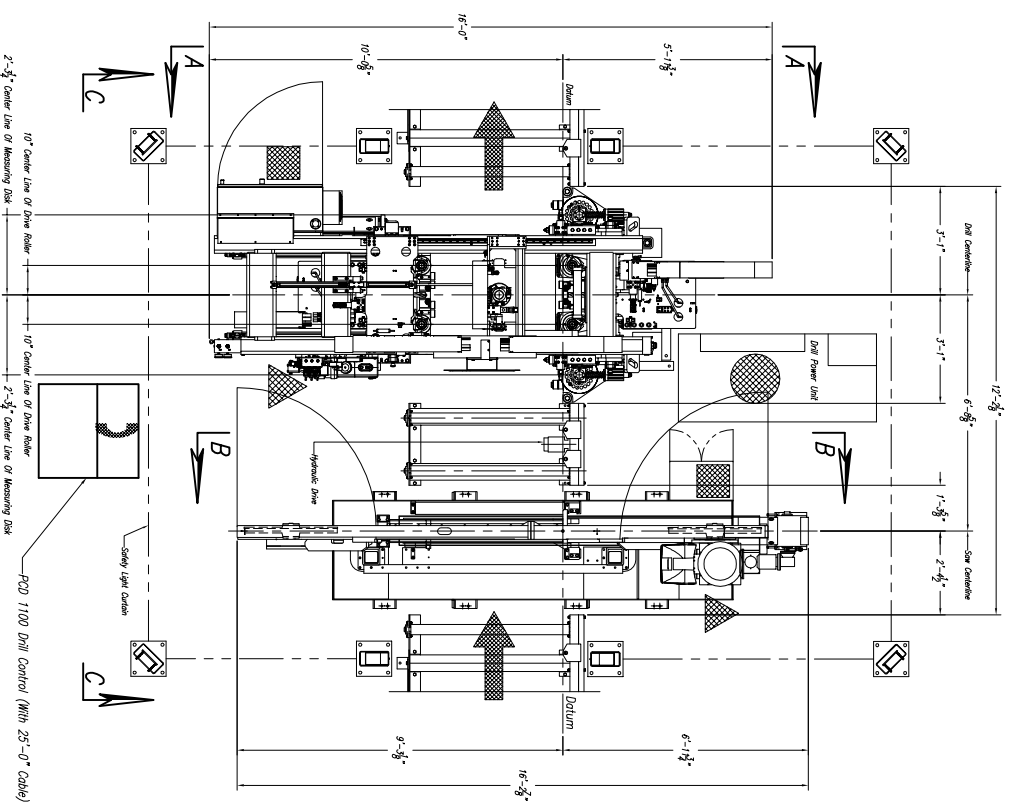
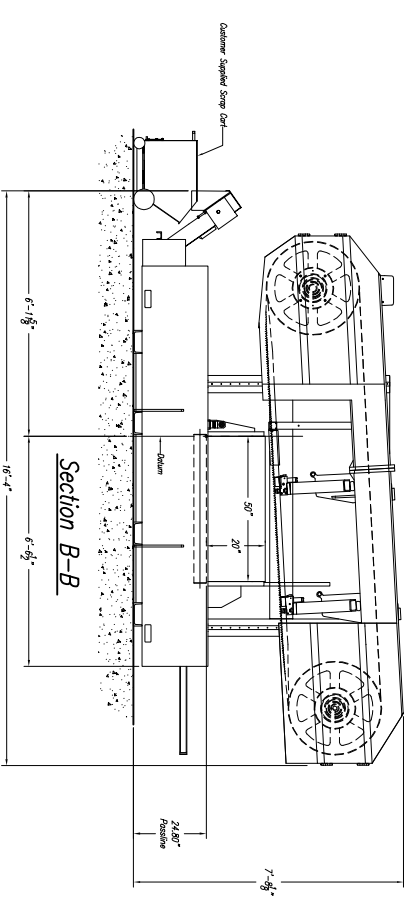
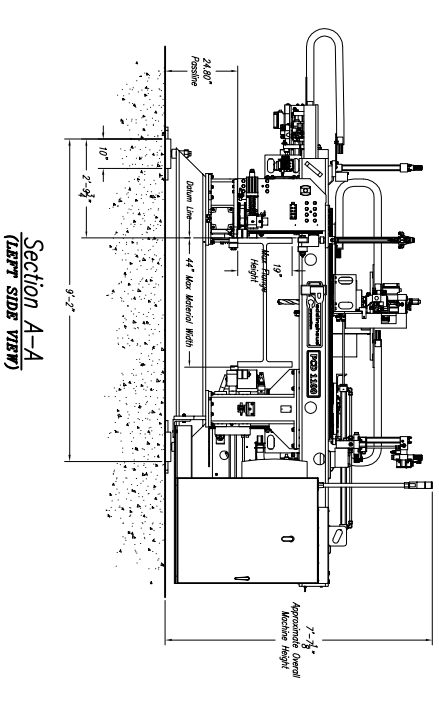


CUSTOMER NOTE!!!!
 This Saw Is Manufactured
 At A 24.8" Passline And
 Requires A **CUSTOMER SUPPLIED**
 Pit Or Platform To Achieve Any
 Other Passline Requested.



Approximate Machine Weight
 PCD 1100 – 10,500 lbs
 1250 Saw – 11,105 lbs



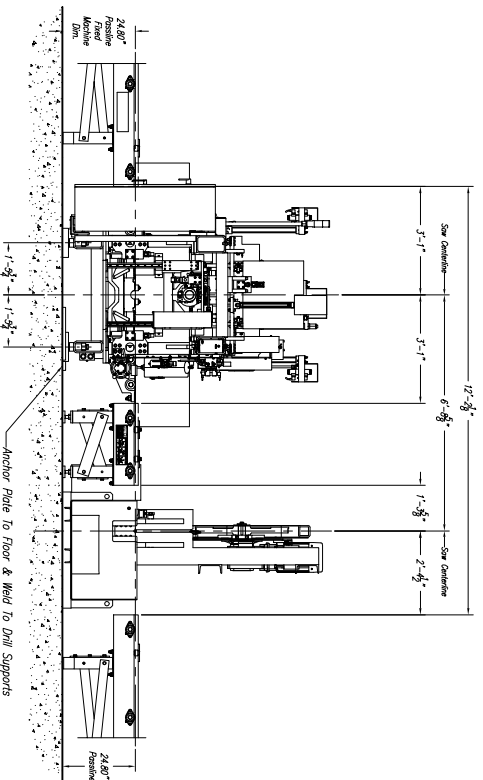
1250 Band Saw NOTES:

- 1.) Passline of Equipment Based on 24.8" from Floorline
- 2.) Concrete Under System/Beams & Pits to be a Minimum of 6" Thick
- 3.) Primary 460 V., 3 Ph., 60 Hz. [Req'd @ each]
- 4.) Total KVA for Equipment = 39 KVA. (49 Amps)
- 5.) Air Requirement: 90 PSIG, 2 SCFM Min. Free Air [Req'd @ Saw]
- 6.) Anchor Bolts (Controls Stand) 1/2" ITW Red Head WS-1270 or Equal [7 Req'd]
- 7.) Anchor Bolts (Machine & Safety Stands) 3/4" ITW Red Head WS-3470 or Equal [24 Req'd]
- 8.) Saw Coolant: Peddi Cool } Gal. Req'd }

PCD 1100/3 Drill NOTES:

- 1.) Passline of Equipment Based on 24.8" from Floorline
- 2.) Concrete Under System to be a Minimum of 6" Thick
- 3.) Primary 460 V., 3 Ph., 60 Hz. [Req'd @ each]
- 4.) Total KVA for Equipment = 90.7 KVA. (114 Amps)
- 5.) Air Requirement With Out Signoscript: 80 PSIG, 30 SCFM Min. Free Air [Req'd @ each]
 Air Requirement With Signoscript: 80 PSIG, 50 SCFM Min. Free Air [Req'd @ each]
- 6.) Hydraulic Oil (Mobil DTE #24 or Equal) [Req'd @ Each] 1120 Gal. Total }
- 7.) Anchor Bolts (Control Stand) 1/2" ITW Red Head WS-1270 or Equal [4 Req'd]
- 8.) Anchor Bolts (Machine & Safety Stands) 3/4" ITW Red Head WS-3470 or Equal [24 Req'd]
- 9.) Network/Internet Connection for Data Transfer and Remote Diagnostics [Req'd @ Each]

Section C-C



SAW COOLANT RECOMMENDATION:
 USE PEDDINGHAUS "PEDDI COOL," VEGETABLE BASE COOLANT
 THIS PRODUCT IS FOR MIST COOLANT SYSTEMS
 DO NOT MIX THIS COOLANT WITH WATER

DRILL COOLANT RECOMMENDATION:
 USE TRI-CHEM "KLEAR CUT" HEAVY DUTY COOLANT (THIS
 WILL WORK WITH ANY VARIANCE OF WATER HARDNESS)
 THIS PRODUCT MUST BE ADDED TO THE WATER, NOT
 THE OTHER WAY AROUND (DO NOT ADD WATER TO
 THIS PRODUCT) USE APPROX 1:30 PRODUCT TO WATER
 RATIO FOR STANDARD DUTY APPLICATIONS TO APPROX 1:10
 PRODUCT TO WATER RATIO FOR HEAVY DUTY APPLICATIONS.

E									
D									
C									
B									
A									
LET.									

Peddinghaus Corp.
BRADLEY, ILL. U.S.A.

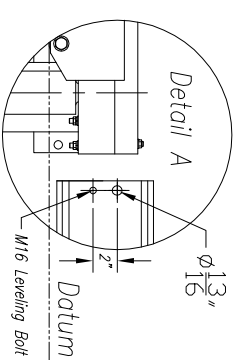
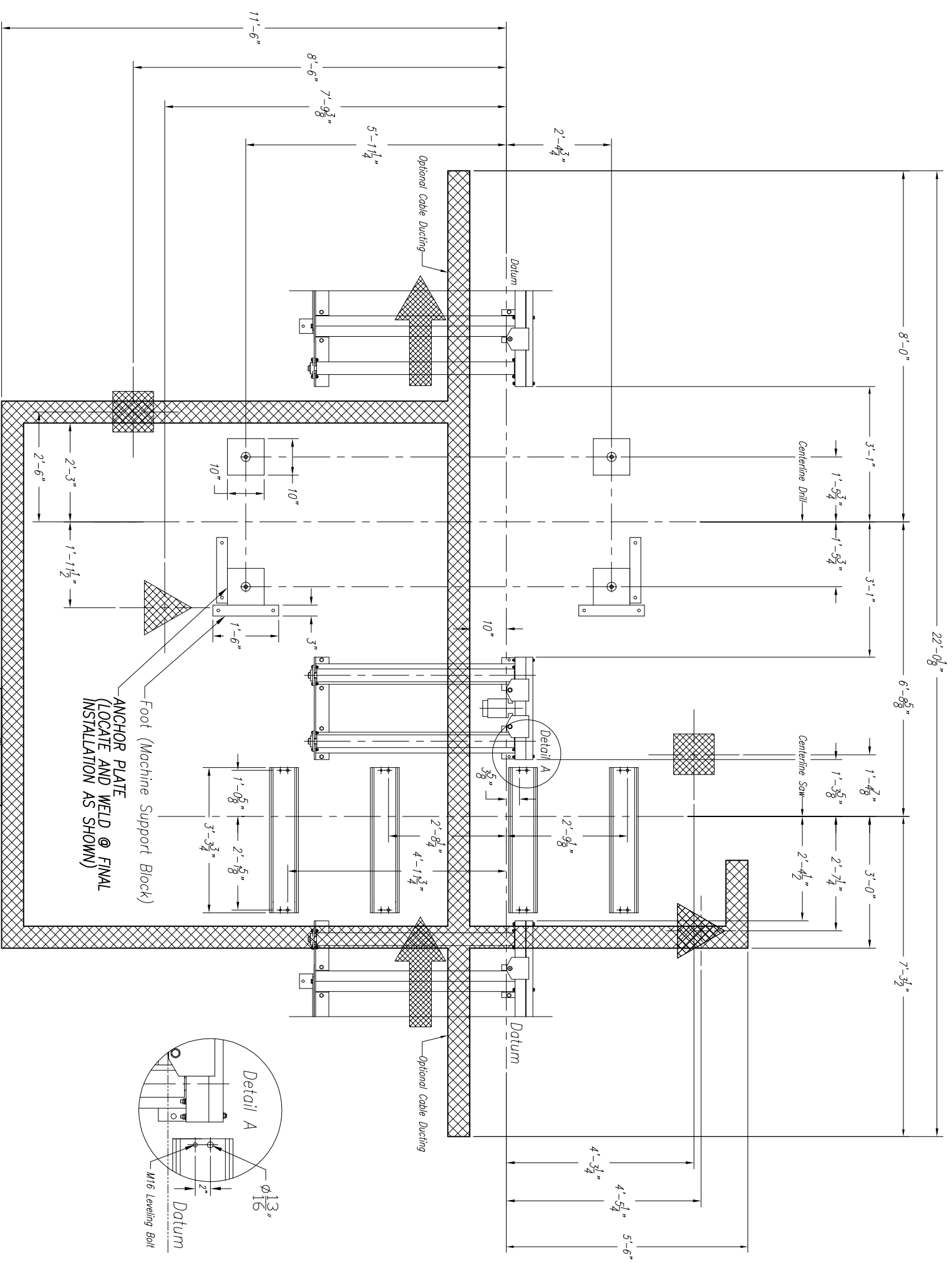
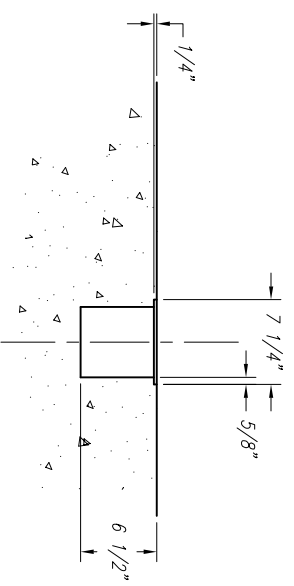
PCD 1100/3B Drill
& 1250-510 Band Saw

DRAWN BY: *G. Marking*
SCALE: 3/8" = 1" DATE:
FOR DRWG. NO.

IMPORTANT Safety Note:
 Release of this document to third parties without the
 full release of the design to the recipient is the
 responsibility of the sender to prevent access by unauthorized
 personnel and to provide safe crossing.

THIS POINT IS THE PROPERTY OF PEDDINGHAUS CORP. AND IS NOT TO BE USED IN
 ANY MANNER DEVIATING TO THE INTERESTS OF SAID COMPANY.

!!!NOTE: DO NOT DRILL HOLES FOR ANCHOR PLATES UNTIL MACHINE IS IN PLACE AND LEVEL AT FINAL INSTALLATION!!!



Anchor Plate (Machine Support Block)
(Locate and Weld @ Final Installation as Shown)

CABLE DUCT DETAIL
CUSTOMER TO SUPPLY COVER: 1/4" THK. X 7-1/4" WIDE
INSTALLED AFTER FINAL FIELD WIRING & PIPING

POD 1100 Drill Control (With 25'-0" Cable)

REVISION/C.N.#	BY	DATE	DESCRIPTION
E			
D			
C			
B			
A			

Peddinghaus Corp. BRADLEY, ILL. U.S.A.		URGENT SAFETY NOTE Because of the complexity of the system, the customer is responsible for providing full access to the system. It is the customer's responsibility to prevent access by unauthorized persons to the system.
POD 1100/3B Drill & 1250-510 Bond Saw For		
DRWN BY	SCALE 3/4" = 1'	DATE:
BY	DATE	DATE:
REV	DATE	DATE:
LET	REVISION/C.N.#	DATE:

THIS PRINT IS THE PROPERTY OF PEDDINGHAUS CORP. AND IS NOT TO BE USED IN ANY MANNER DETRIMENTAL TO THE INTERESTS OF SAID COMPANY.