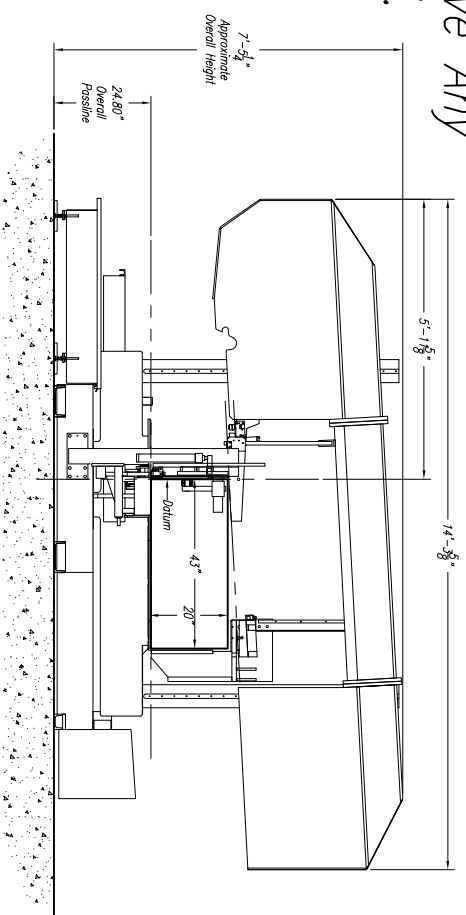
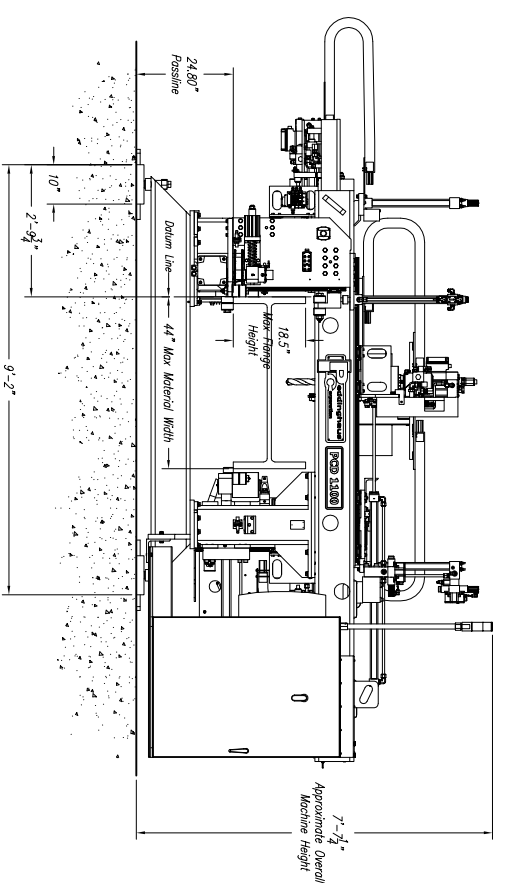


SAW COOLANT RECOMMENDATION:
 USE PEDDINGHAUS "PEDDI COOL" VEGETABLE BASE COOLANT
 THIS PRODUCT IS FOR MIST COOLANT SYSTEMS
 DO NOT MIX THIS COOLANT WITH WATER

DRILL COOLANT RECOMMENDATION:
 USE TRU-CHEM "KLEAR CUT" HEAVY DUTY COOLANT (THIS
 WILL WORK WITH ANY VARIANCE OF WATER HARDNESS.)
 THIS PRODUCT MUST BE ADDED TO THE WATER, NOT
 THE OTHER WAY AROUND. (DO NOT ADD WATER TO
 THIS PRODUCT) USE APPROX 1:30 PRODUCT TO WATER
 RATIO FOR STANDARD DUTY APPLICATIONS TO APPROX. 1:10
 PRODUCT TO WATER RATIO FOR HEAVY DUTY APPLICATIONS.

CUSTOMER NOTE!!!!
 This Saw Is Manufactured
 At A 24.8" Passline And
 Requires A CUSTOMER SUPPLIED
 Pit Or Platform To Achieve Any
 Other Passline Requested.



Approximate Machine Weight
 PCD 1100 - 10,500lbs
 1100 DG - 12,324lbs

1100-510 Saw NOTES:

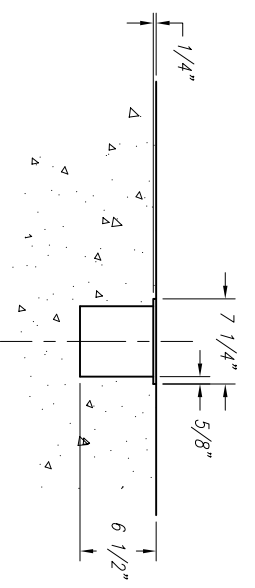
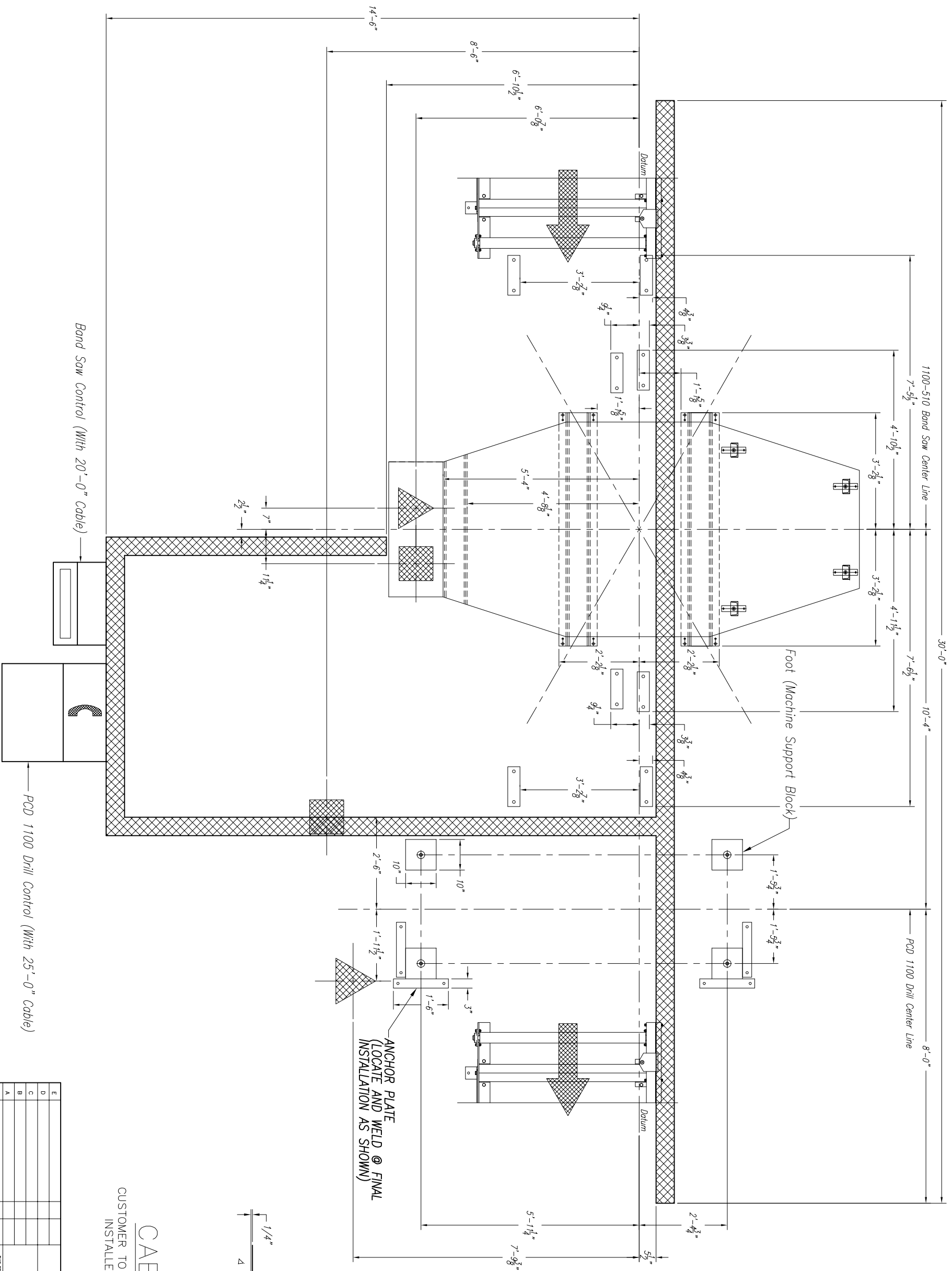
- 1.) Passline of Equipment Based on 24.8" from Floorline
- 2.) Concrete Under Equipment/Beams & Pits to be a Minimum of 6" Thick
- 3.) Primary 460 V., 3 Ph., 60 Hz. [Req'd @ each]
- 4.) Total K.V.A. for Equipment = 18 K.V.A. (22.5 Amps)
- 5.) Air Requirement With Out Signoscript: 90 PSIG, 2 SCFM Min. Free Air [Req'd @ each]
- 6.) Hydraulic Oil (Mobil DTE #24 Or Equal) [Req'd @ Each] } 3.5 Gal. Total
- 7.) Anchor Bolts (Control Stand) 1/2" ITW Red Head WS-1270 Or Equal [7 Req'd]
- 8.) Anchor Bolts (Mitered Conveyors) 5/8" ITW Red Head WS-5870 Or Equal [16 Req'd]
- 9.) Anchor Bolts (Machine & Safety Stands) 3/4" ITW Red Head WS-3470 Or Equal [24 Req'd]

PCD 1100/3 Drill NOTES:

- 1.) Passline of Equipment Based on 24.8" from Floorline
- 2.) Concrete Under System to be a Minimum of 6" Thick
- 3.) Primary 460 V., 3 Ph., 60 Hz. [Req'd @ each]
- 4.) Total K.V.A. for Equipment = 90.7 K.V.A. (114 Amps)
- 5.) Air Requirement With Out Signoscript: 80 PSIG, 30 SCFM Min. Free Air [Req'd @ each]
- 6.) Hydraulic Oil (Mobil DTE #24 or Equal) [Req'd @ Each] } 120 Gal. Total
- 7.) Anchor Bolts (Control Stand) 1/2" ITW Red Head WS-1270 Or Equal [4 Req'd]
- 8.) Anchor Bolts (Machine & Safety Stands) 3/4" ITW Red Head WS-3470 Or Equal [24 Req'd]
- 9.) Network/Internet Connection for Data Transfer and Remote Diagnostics [Req'd @ Each]

Peddinghaus Corp.		IMPORTANT Safety Note	
BRADLEY, ILL. U.S.A.		Because of the difficulty to effectively guard the full length of the system it is the customers' responsibility to prevent access by unauthorized personnel and to provide safe crossing.	
E		SCALE: 1/2" = 1'	DATE:
D		DRAWN BY: <i>G. Marten</i>	DRWG. NO.:
C		PCD 1100 Drill 3 Spindle & 1100 DG Miter Band Saw	
B		For	
A		THIS PRINT IS THE PROPERTY OF PEDDINGHAUS CORP. AND IS NOT TO BE USED IN ANY MANNER DETRIMENTAL TO THE INTERESTS OF SAID COMPANY	
LET.	REVISION/C.N.#	BY	DATE

!!!NOTE DO NOT DRILL HOLES FOR ANCHOR PLATES UNTIL MACHINE IS IN PLACE AND LEVEL AT FINAL INSTALLATION!!!



CABLE DUCT DETAIL
 CUSTOMER TO SUPPLY COVER: 1/4" THK. X 7-1/4" WIDE
 INSTALLED AFTER FINAL FIELD WIRING & PIPING

E					
D					
C					
B					
A					
LET.					

Peddinghaus Corp.
 BRADLEY, ILL. U.S.A.
 PCD 1100 Drill 3 Spindle
 With 1100-510 Band Saw
 FOR
 J. Alexander
 SCALE 3/4" = 1" DATE:
 DRAWING NO. DRWG. NO.

IMPORTANT SAFETY NOTE:
 Because of the complexity of this system, the customer is responsible for the full length of the system. It is the customer's responsibility to prevent access by unauthorized persons to the system.

THIS PRINT IS THE PROPERTY OF PEDDINGHAUS CORP. AND IS NOT TO BE USED IN ANY MANNER OTHER THAN TO THE ADDRESS OF SAID COMPANY.