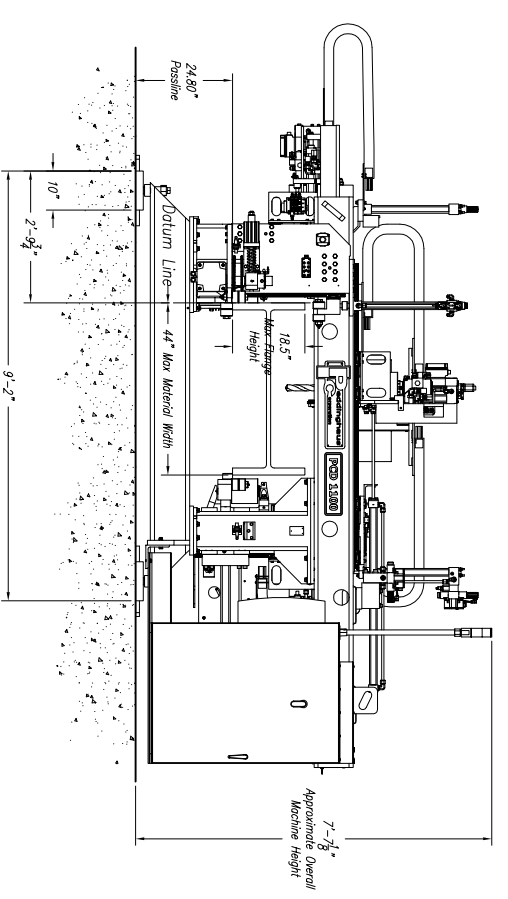
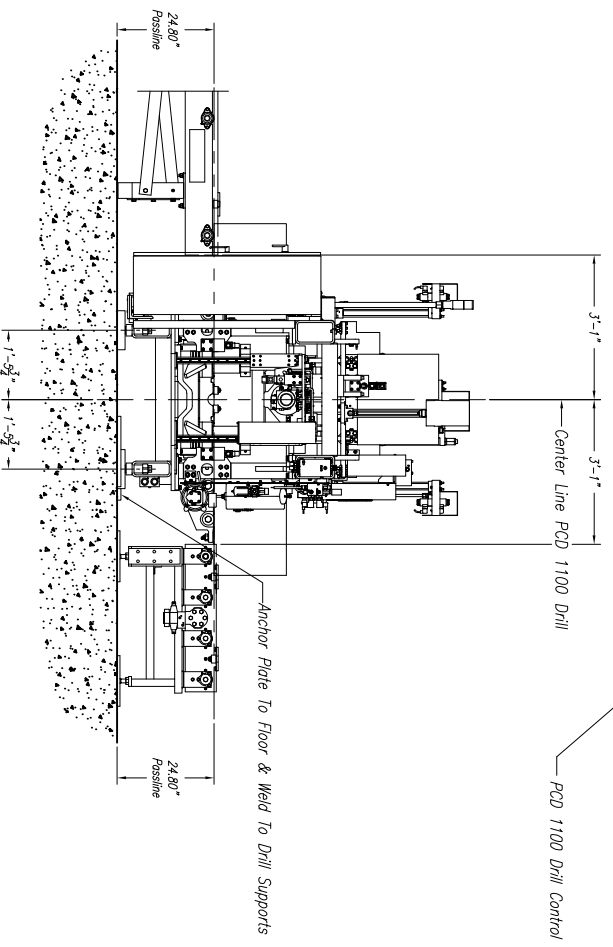
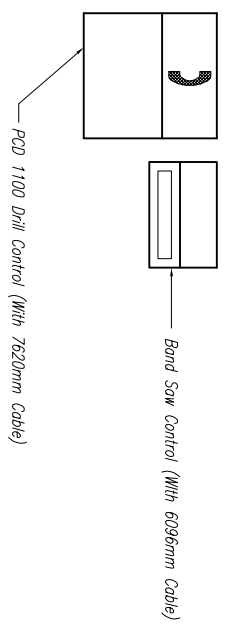
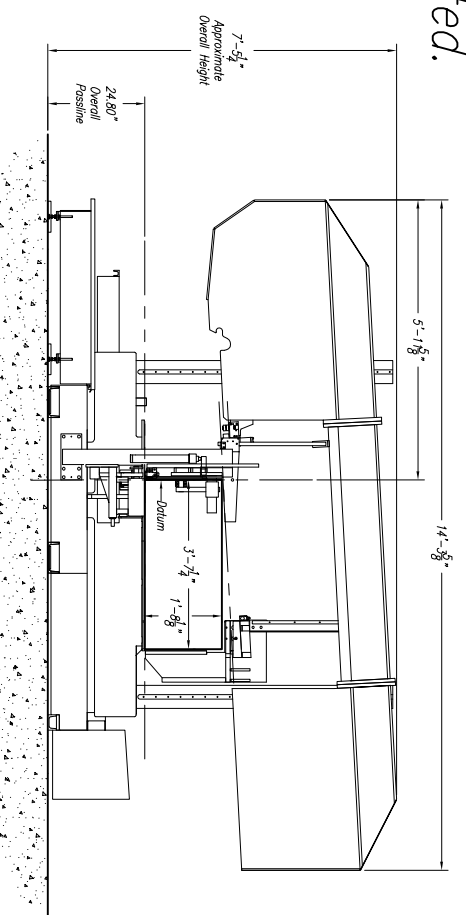


CUSTOMER NOTE!!!!
 This Saw Is Manufactured
 At A 24.8" Passline And
 Requires A CUSTOMER SUPPLIED
 Pit Or Platform To Achieve Any
 Other Passline Requested.



Approximate Machine Weight
 PCD 1100 – 10,500 lbs
 1100 DG – 12,324 lbs



SAW COOLANT RECOMMENDATION:
 USE PEDDINGHAUS "PEDDI COOL" VEGETABLE BASE COOLANT
 THIS PRODUCT IS FOR MIST COOLANT SYSTEMS
 DO NOT MIX THIS COOLANT WITH WATER

DRILL COOLANT RECOMMENDATION:
 SEE MANUAL FOR DRILL COOLANT RECOMMENDATIONS

1100-510 Saw NOTES:

- 1.) Passline of Equipment Based on 24.8" from Floorline
- 2.) Concrete Under Equipment/Beams & Pits to be a Minimum of 6" Thick
- 3.) Primary 460 V, 3 Ph., 60 Hz. [Req'd @ each]
- 4.) Total K.V.A. for Equipment = 18 K.V.A. (22.5 Amps)
- 5.) Air Requirement With Out Signoscript: 90 PSIG, 2 SCFM Min. Free Air [Req'd @ each]
- 6.) Hydraulic Oil (Mobil DTE #24 Or Equal) [Req'd @ Each] } 33.5 Gal. Total
- 7.) Anchor Bolts (Control Stand) 1/2" ITW Red Head WS-1270 Or Equal [7 Req'd]
- 8.) Anchor Bolts (Mitered Conveyors) 5/8" ITW Red Head WS-5870 Or Equal [16 Req'd]
- 9.) Anchor Bolts (Machine & Safety Stands) 3/4" ITW Red Head WS-3470 Or Equal [24 Req'd]

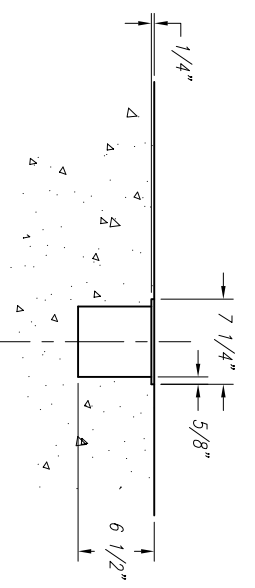
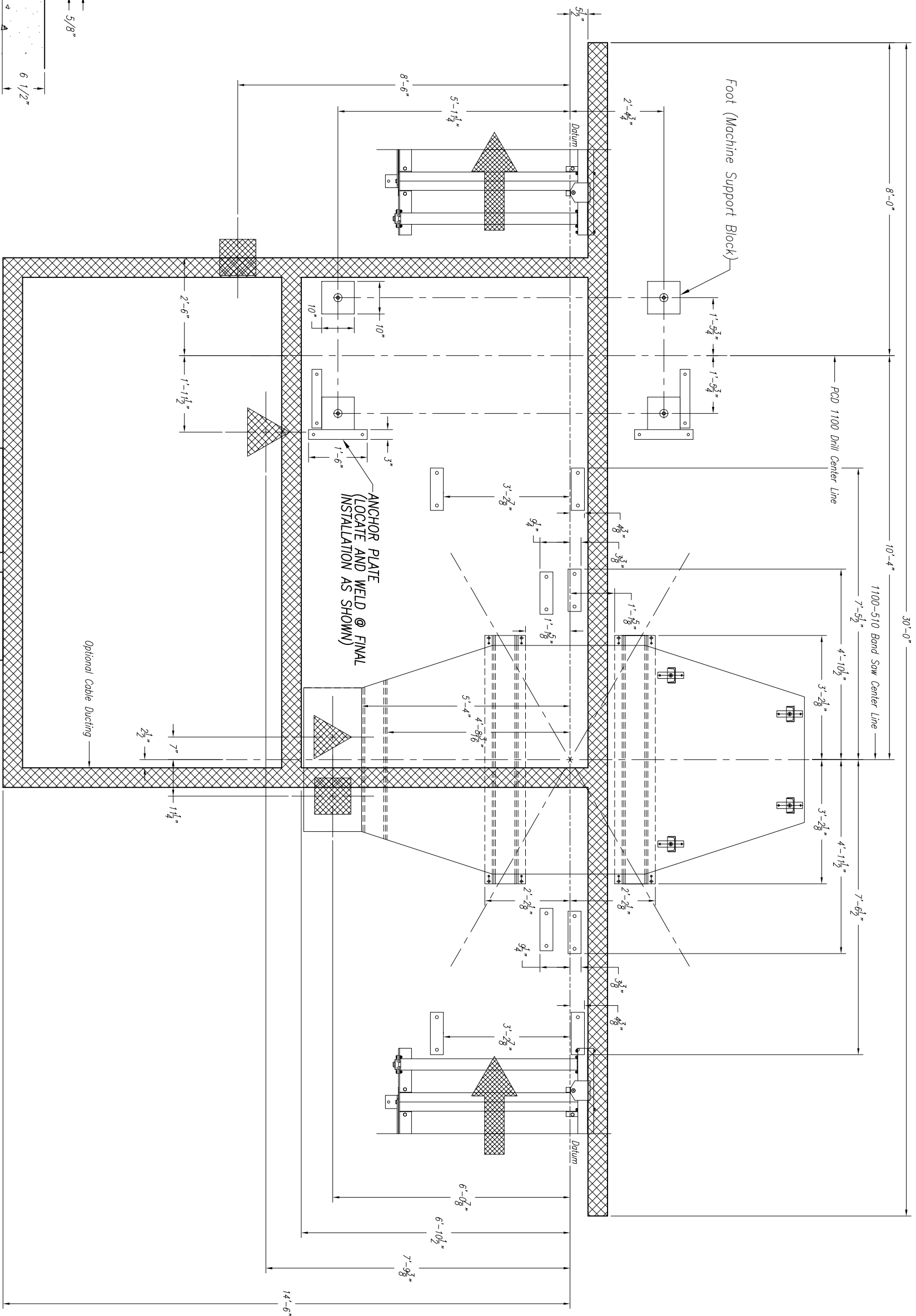
PCD 1100/3 Drill NOTES:

- 1.) Passline of Equipment Based on 24.8" from Floorline
- 2.) Concrete Under System to be a Minimum of 6" Thick
- 3.) Primary 460 V, 3 Ph., 60 Hz. [Req'd @ each]
- 4.) Total K.V.A. for Equipment = 90.7 K.V.A. (114 Amps)
- 5.) Air Requirement With Out Signoscript: 80 PSIG, 30 SCFM Min. Free Air [Req'd @ each]
- 6.) Air Requirement With Signoscript: 80 PSIG, 50 SCFM Min. Free Air [Req'd @ each]
- 7.) Hydraulic Oil (Mobil DTE #24 or Equal) [Req'd @ Each] } 120 Gal. Total
- 8.) Anchor Bolts (Control Stand) 1/2" ITW Red Head WS-1270 or Equal [4 Req'd]
- 9.) Anchor Bolts (Machine & Safety Stands) 3/4" ITW Red Head WS-3470 or Equal [24 Req'd]
- 9.) Network/Internet Connection for Data Transfer and Remote Diagnostics [Req'd @ Each]

Peddinghaus Corp.		IMPORTANT Safety Note	
BRADLEY, ILL. U.S.A.		Because of the difficulty to effectively guard the full length of the system it is the customers responsibility to provide access by unauthorized personnel and to provide safe crossing.	
PCD 1100 Drill 3 Spindle & 1100 DG Miter Band Saw		SCALE: 1/2" = 1'	DATE:
FOR		DRAWN BY: <i>B. Marton</i>	DRWG. NO.:
LET.	REVISION/C.N.#	BY	DATE

Peddinghaus Corp.		IMPORTANT Safety Note	
BRADLEY, ILL. U.S.A.		Because of the difficulty to effectively guard the full length of the system it is the customers responsibility to provide access by unauthorized personnel and to provide safe crossing.	
PCD 1100 Drill 3 Spindle & 1100 DG Miter Band Saw		SCALE: 1/2" = 1'	DATE:
FOR		DRAWN BY: <i>B. Marton</i>	DRWG. NO.:
LET.	REVISION/C.N.#	BY	DATE

!!!NOTE DO NOT DRILL HOLES FOR ANCHOR PLATES UNTIL MACHINE IS IN PLACE AND LEVEL AT FINAL INSTALLATION!!!



CABLE DUCT DETAIL
 CUSTOMER TO SUPPLY COVER: 1/4" THK. X 7-1/4" WIDE
 INSTALLED AFTER FINAL FIELD WIRING & PIPING

PCCD 1100 Drill Control (With 25'-0" Cable)
 Band Saw Control (With 20'-0" Cable)

REV.	REVISION/CH.#	BY	DATE
E			
D			
C			
B			
A			
LET			

Peddinghaus Corp.
 BRADLEY, ILL. U.S.A.
 PCCD 1100 Drill 3 Spindle
 With 1100-510 Band Saw
 FOR

URGENT SAFETY NOTE
 Because of the potential for injury, the full length of the system is the customer's responsibility to prevent access by unauthorized persons. The design site is not to be used until the system is fully installed and tested.
 DRAWN BY: **J. Alford**
 SCALE: 3/4" = 1" DATE: _____
 DWG. NO. _____

THIS PRINT IS THE PROPERTY OF PEDDINGHAUS CORP. AND IS NOT TO BE USED IN ANY MANNER DETRIMENTAL TO THE INTERESTS OF SAID COMPANY.