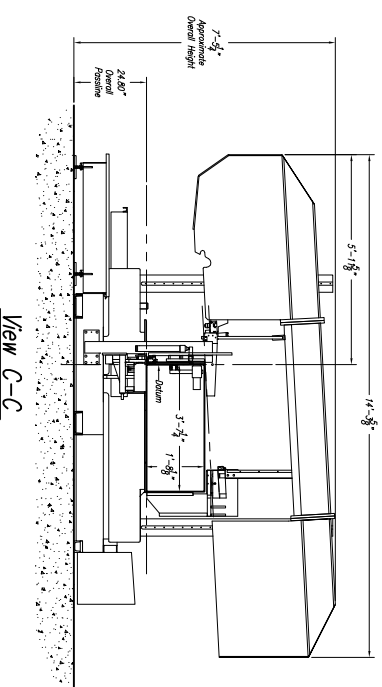
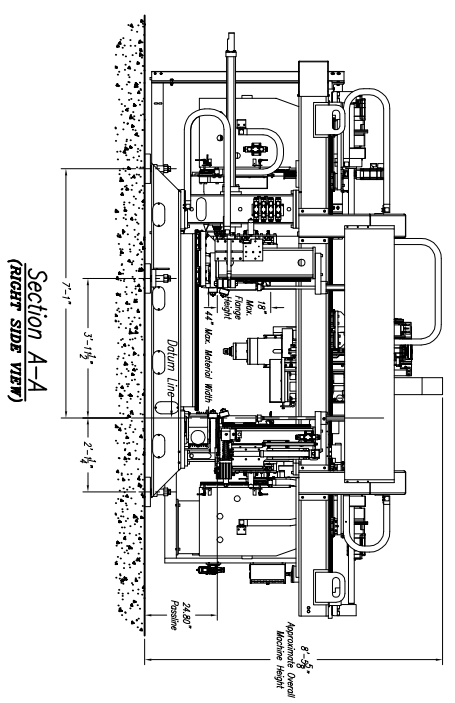
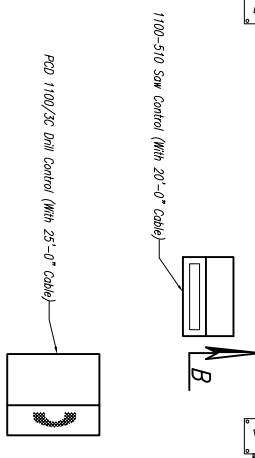


CUSTOMER NOTE!!!!
 This Saw Is Manufactured
 At A 24.8" Passline And
 Requires A CUSTOMER SUPPLIED
 Pit Or Platform To Achieve Any
 Other Passline Requested.

Approximate Machine Weight
 PCD 1100/3C - 15,590 lbs
 1100-510 DG - 12,324 lbs

SAW COOLANT RECOMMENDATION:
 USE PEDDINGHAUS FEEDY COOL VEGETABLE BASE COOLANT
 THIS PRODUCT IS FOR MIST COOLANT SYSTEMS
 DO NOT MIX THIS COOLANT WITH WATER

DRILL COOLANT RECOMMENDATION:
 SEE MANUAL FOR DRILL COOLANT RECOMMENDATIONS

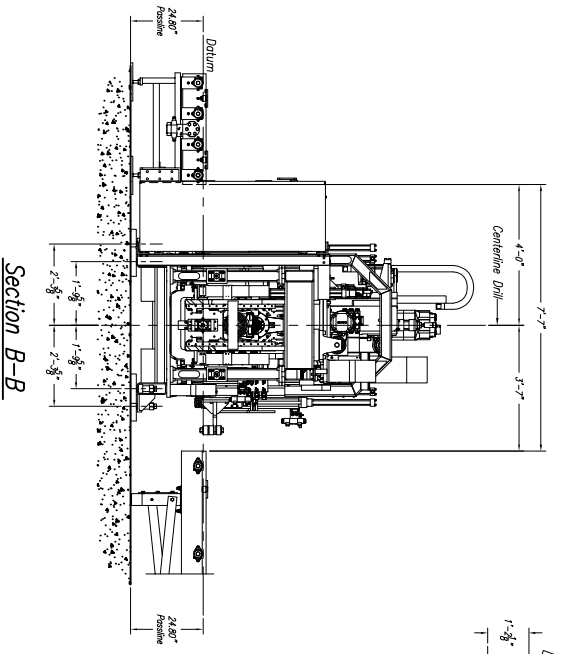
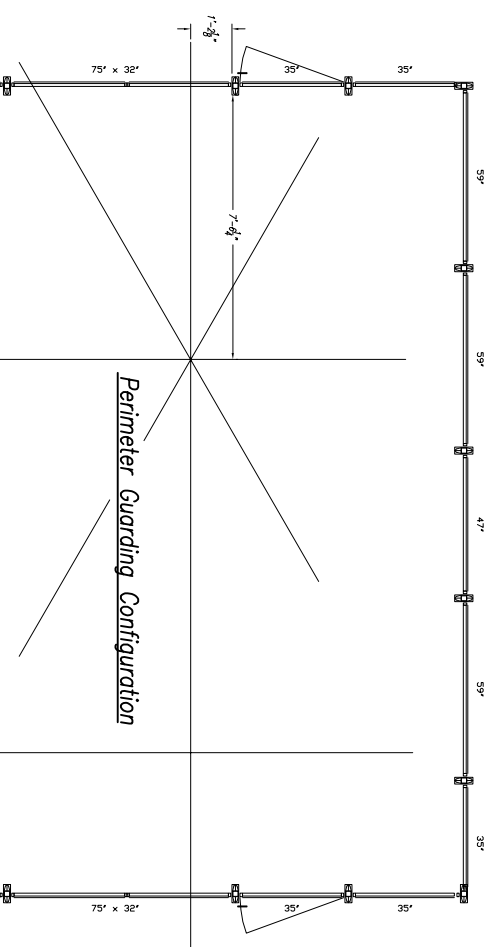


1100-510 Saw Notes:

- 1) Passline of Equipment Based on 24.8" from Floorline
- 2) Concrete Under Equipment/Beams & Pits to be a Minimum of 6" Thick
- 3) Primary 460 V., 3 Ph., 60 Hz. [Req'd @ each]
- 4) Total K.V.A. for Equipment = 18 K.V.A. (22.5 Amps)
- 5) Air Requirement: 90 PSIG, 2 SCFM Min. Free Air [Req'd @ each]
- 6) Hydraulic Oil (Mobil DTE #24 Or Equal) [Req'd @ Each] 133.5 Gal. Total
- 7) Anchor Bolts (Control Stand) 1/2" ITW Red Head WS-1270 Or Equal [7 Req'd]
- 8) Anchor Bolts (Metered Conveyors) 5/8" ITW Red Head WS-5870 Or Equal [16 Req'd]
- 9) Anchor Bolts (Machine) 3/4" ITW Red Head WS-3470 Or Equal [8 Req'd]

PCD 1100/3C Drill Notes:

- 1) Passline of Equipment Based on 24.8" from Floorline
- 2) Concrete Under System to be a Minimum of 6" Thick
- 3) Primary 460 V., 3 Ph., 60 Hz. [Req'd @ each]
- 4) Total K.V.A. for Equipment = 63 K.V.A. (79 Amps)
- 5) Air Requirement 90 PSIG, 60 SCFM Min. Free Air [Req'd @ each]
- 6) Hydraulic Oil (Mobil DTE #24 or Equal) [Req'd @ Each] 1320 Gal. Total
- 7) Anchor Bolts (Control Stand) 1/2" ITW Red Head WS-1270 Or Equal [4 Req'd]
- 8) Anchor Bolts (Machine & Safety Stands) 3/4" ITW Red Head WS-3470 Or Equal [20 Req'd]
- 9) Network/Internet Connection for Data Transfer and Remote Diagnostics [Req'd @ Each]



| | | | | | |
|------|--|--|--|--|--|
| E | | | | | |
| D | | | | | |
| C | | | | | |
| B | | | | | |
| A | | | | | |
| LET. | | | | | |

| | | | |
|--|--|--|--|
| Peddinghaus Corp. BRADLEY, ILL. U.S.A. | | Because of the difficulty to fit and guard the responsibility of the manufacturer and the responsibility of the user to provide safe access by unauthorized personnel and to provide safe crossing. | |
| PCD 1100/3C Drill & 1100-510 DG for | | SCALE: 1/2" = 1' DATE: | |
| DRAWN BY: <i>G. Mankin</i> | | DRWG. NO. | |

THIS PRINT IS THE PROPERTY OF PEDDINGHAUS CORP. AND IS NOT TO BE USED IN ANY MANNER DETRIMENTAL TO THE INTERESTS OF SAID COMPANY.

