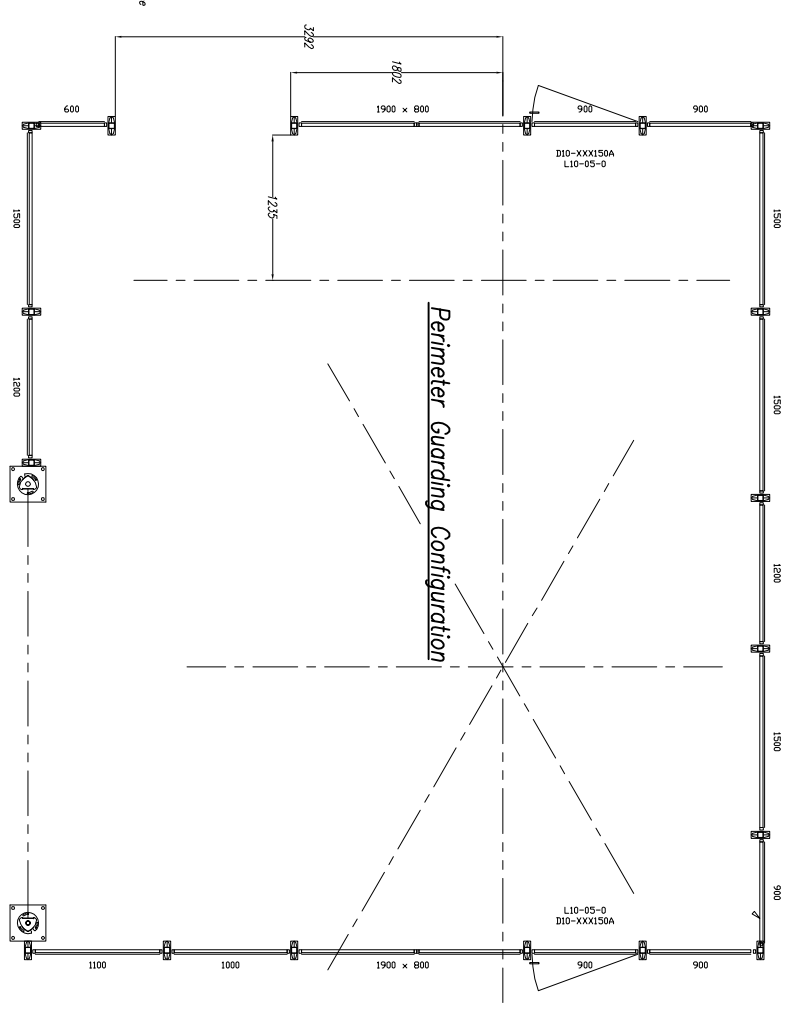
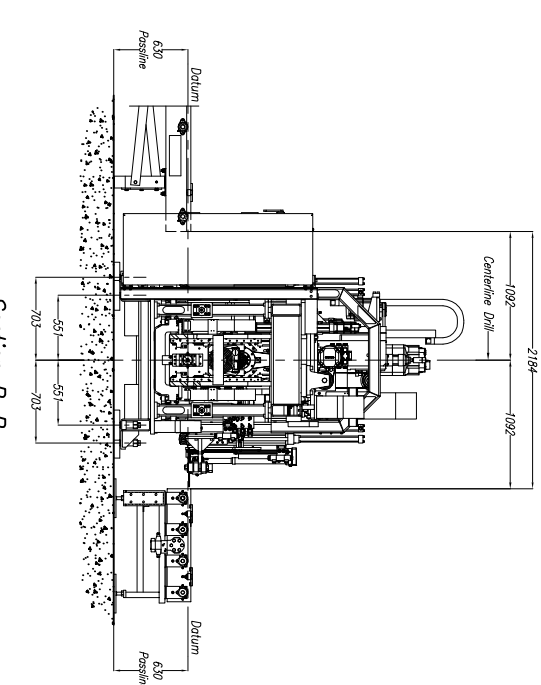
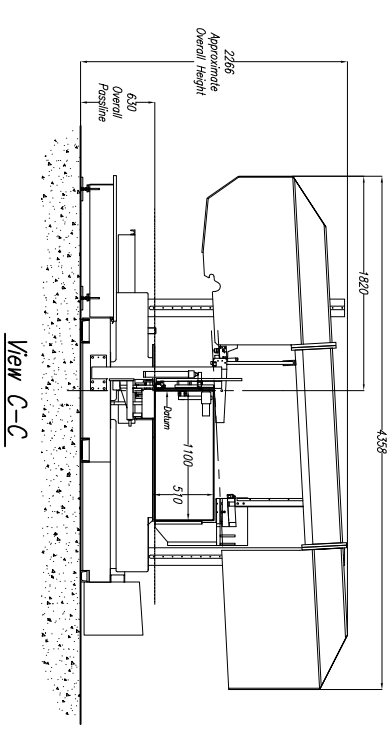
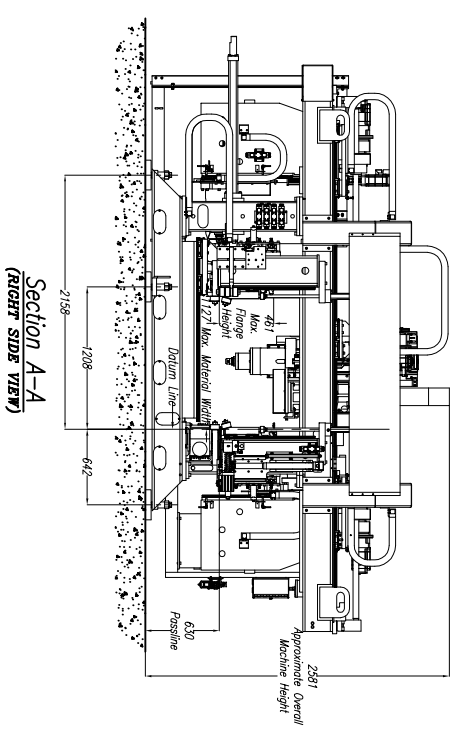


CUSTOMER NOTE!!!!
 This Saw Is Manufactured At A 630mm Passline And Requires A CUSTOMER SUPPLIED Pit Or Platform To Achieve Any Other Passline Requested.

SAW COOLANT RECOMMENDATION:
 USE PEDDINGHAUS "PEDDY COOL" VEGETABLE BASE COOLANT. THIS PRODUCT IS FOR MIST COOLANT SYSTEMS. DO NOT MIX THIS COOLANT WITH WATER.
DRILL COOLANT RECOMMENDATION:
 SEE MANUAL FOR DRILL COOLANT RECOMMENDATIONS.

Approximate Machine Weight
 PCD 1100/3C - 7,070 kg
 1100-510 DG - 5,590 kg



1100-510 Saw NOTES:

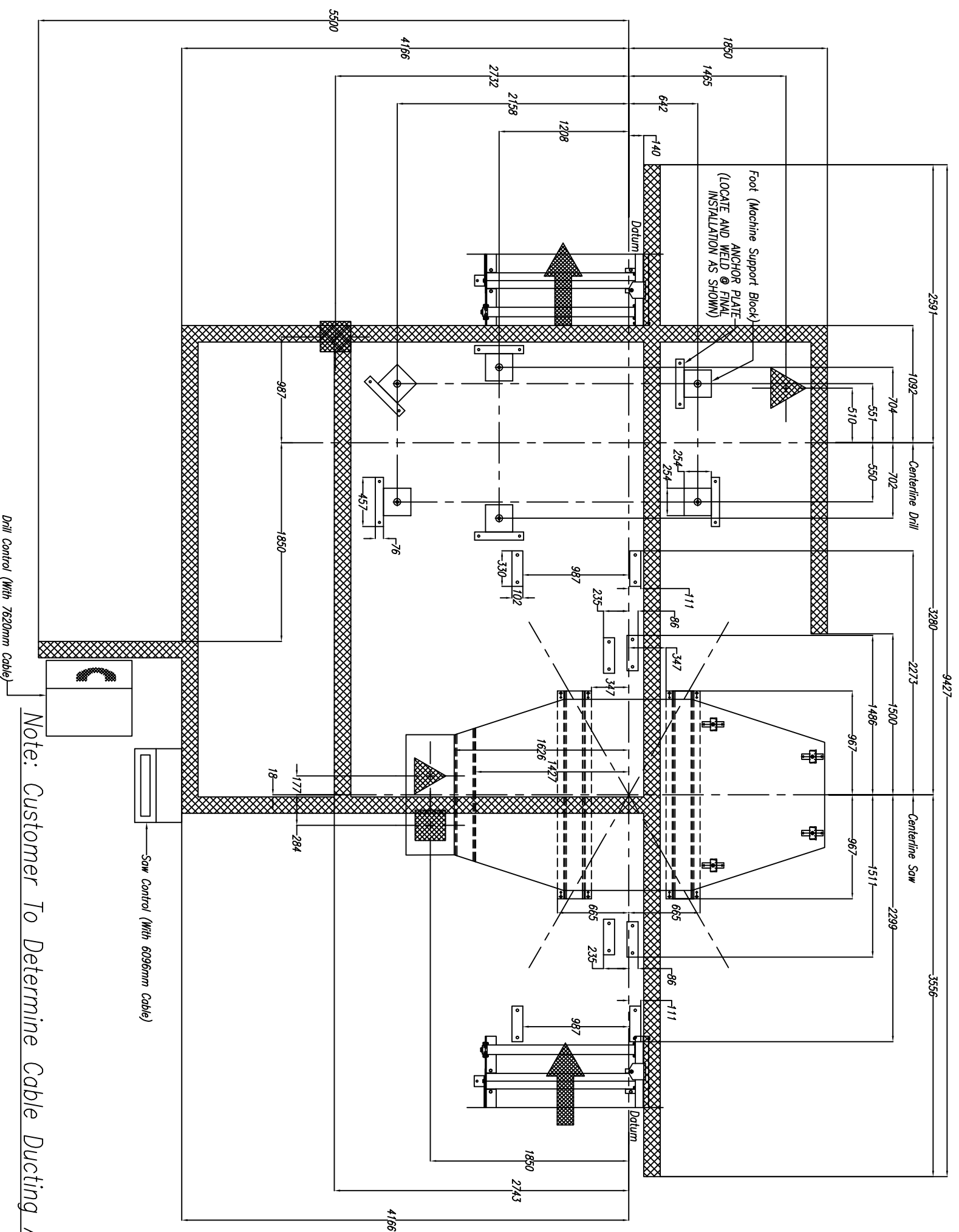
- 1.) Passline of Equipment Based on 630mm from Floorline
- 2.) Concrete Under System to be a Minimum of 200mm Thick
- 3.) Primary 400 V., 3 Ph., 50 Hz. [Req'd @ each]
- 4.) Total kW for Equipment = 17.6 kW (27 Amps)
- 5.) Air Requirement: 6,205 bar, 0.057 SCMM Min. Free Air [Req'd @ each]
- 6.) Hydraulic Oil (Mobil DTE #24 Or Equal) [Req'd @ Each] 113 L. Total
- 7.) Anchor Bolts (Control Stand) 12mm Anchor Bolt Or Equal [7 Req'd]
- 8.) Anchor Bolts (Mitered Conveyors) 16mm Anchor Bolt Or Equal [16 Req'd]
- 9.) Anchor Bolts (Machine) 20mm Anchor Bolt Or Equal [8 Req'd]

PCD 1100/3C Drill NOTES:

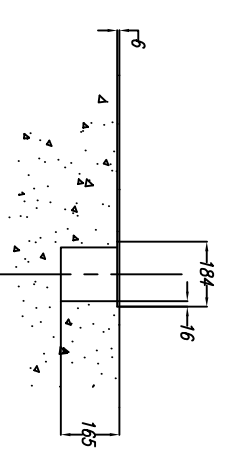
- 1.) Passline of Equipment Based on 630mm from Floorline
- 2.) Concrete Under System to be a Minimum of 200mm Thick
- 3.) Primary 380 V., 3 Ph., 50 Hz. [Req'd @ each]
- 4.) Total kW for Equipment = 52 kW (96 Amps)
- 5.) Air Requirement 6,205 bar, 1.70 SCMM Min. Free Air [Req'd @ each]
- 6.) Hydraulic Oil (Mobil DTE #24 or Equal) [Req'd @ Each] 176 L. Total
- 7.) Anchor Bolts (Control Stand) 12mm Anchor Bolts or Equal [4 Req'd]
- 8.) Anchor Bolts (Machine & Safety Stands) 20mm Anchor Bolts or Equal [20 Req'd]
- 9.) Network/Internet Connection for Data Transfer and Remote Diagnostics [Req'd @ Each]

<p>Peddinghaus Corp. BRADLEY, ILL. U.S.A.</p>		<p>IMPORTANT Safety Note! Because of the difficulty to effectively guard the full length of the system, it is the customer's responsibility to prevent access by unauthorized personnel and to provide safe crossing.</p>	
<p>PCD 1100/3C Drill & 1100-510 DG for</p>		<p>DRAWN BY: <i>J. Martin</i> SCALE: 1 : 30 DATE: _____ DRWS. NO. _____</p>	
<p>REVISION/C.N.#</p>	<p>BY</p>	<p>DATE</p>	<p>THIS PRINT IS THE PROPERTY OF PEDDINGHAUS CORP. AND IS NOT TO BE USED IN ANY MANNER DETRIMENTAL TO THE INTERESTS OF SAID COMPANY.</p>

!!!NOTE DO NOT DRILL HOLES FOR ANCHOR PLATES UNTIL MACHINE IS IN PLACE AND LEVEL AT FINAL INSTALLATION!!!



Note: Customer To Determine Cable Ducting Arrangement For Main Power & Air Supplies



CABLE DUCT DETAIL

CUSTOMER TO SUPPLY COVER: 6mm THK. X 184mm WIDE
 INSTALLED AFTER FINAL FIELD WIRING & PIPING

C 25/38 x 200mm THICK CONCRETE RECOMMENDED UNDER ALL EQUIPMENT

E							
D							
C							
B							
A							
LET.							
		REVISION/C.N.#	BY	DATE			
Peddinghaus Corp. BRADLEY, ILL. U.S.A. PCD 1100/3C Drill & 1100-510 Dg for for Onesteel					IMPORTANT Safety Note! Because of the difficulty to effectively guard the full length of the system it is the installer's responsibility to prevent access by unauthorized personnel and to provide safe crossing. DRAWN BY: <i>J. Mardian</i> SCALE: 1 : 20 DATE: 3/10/11 DRWG. NO. March 10, 2011		
THIS PRINT IS THE PROPERTY OF PEDDINGHAUS CORP. AND IS NOT TO BE USED IN ANY MANNER DETRIMENTAL TO THE INTERESTS OF SAID COMPANY.					Sheet 2 of 2		