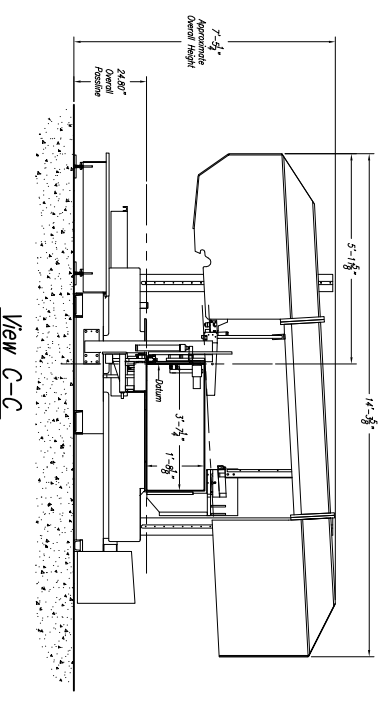
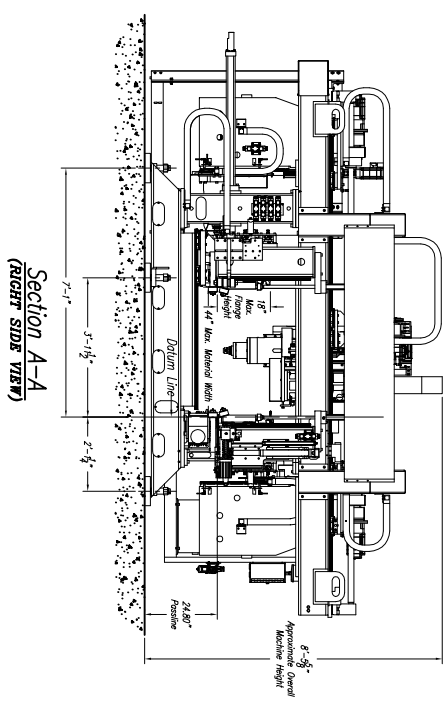


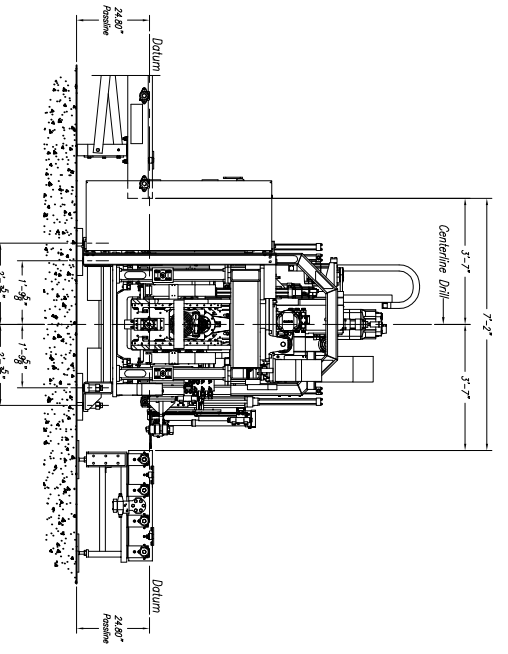
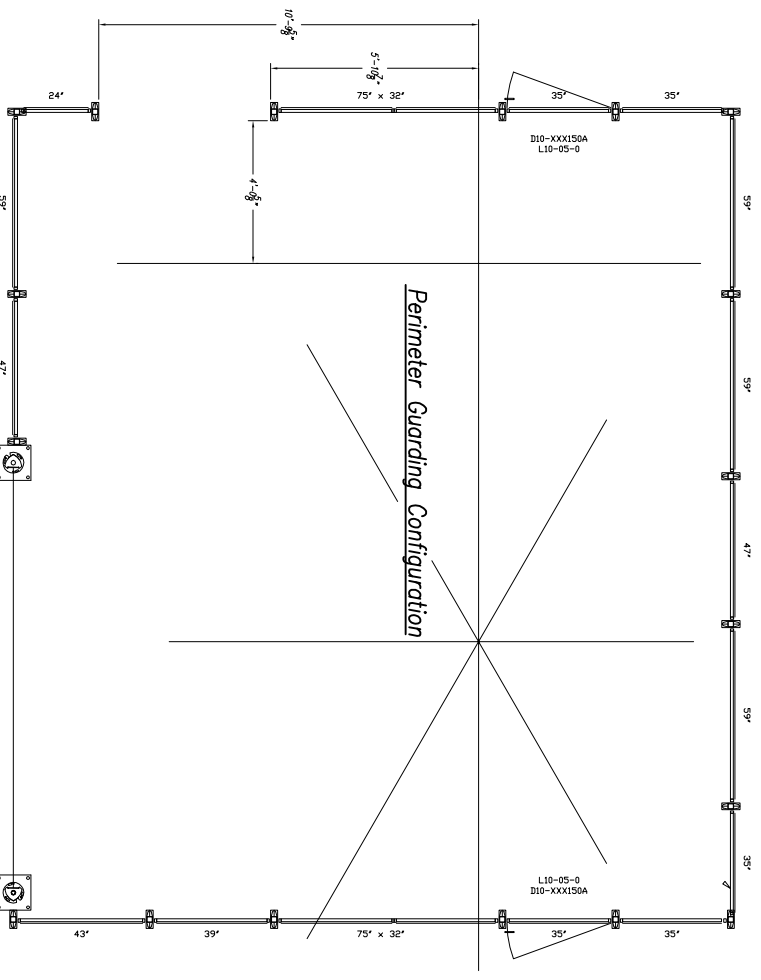
CUSTOMER NOTE!!!!
 This Saw Is Manufactured At A 24.8" Passline And Requires A CUSTOMER SUPPLIED Pit Or Platform To Achieve Any Other Passline Requested.

SAW COOLANT RECOMMENDATION:
 USE PEDDINGHAUS "REDI-COOL" VEGETABLE BASE COOLANT. THIS PRODUCT IS FOR MIST COOLANT SYSTEMS. DO NOT MIX THIS COOLANT WITH WATER.
DRILL COOLANT RECOMMENDATION:
 SEE MANUAL FOR DRILL COOLANT RECOMMENDATIONS.

Approximate Machine Weight
 PCD 1100/3C - 15,590 lbs
 1100-510 DG - 12,324 lbs



Perimeter Guarding Configuration



1100-510 Saw Notes:

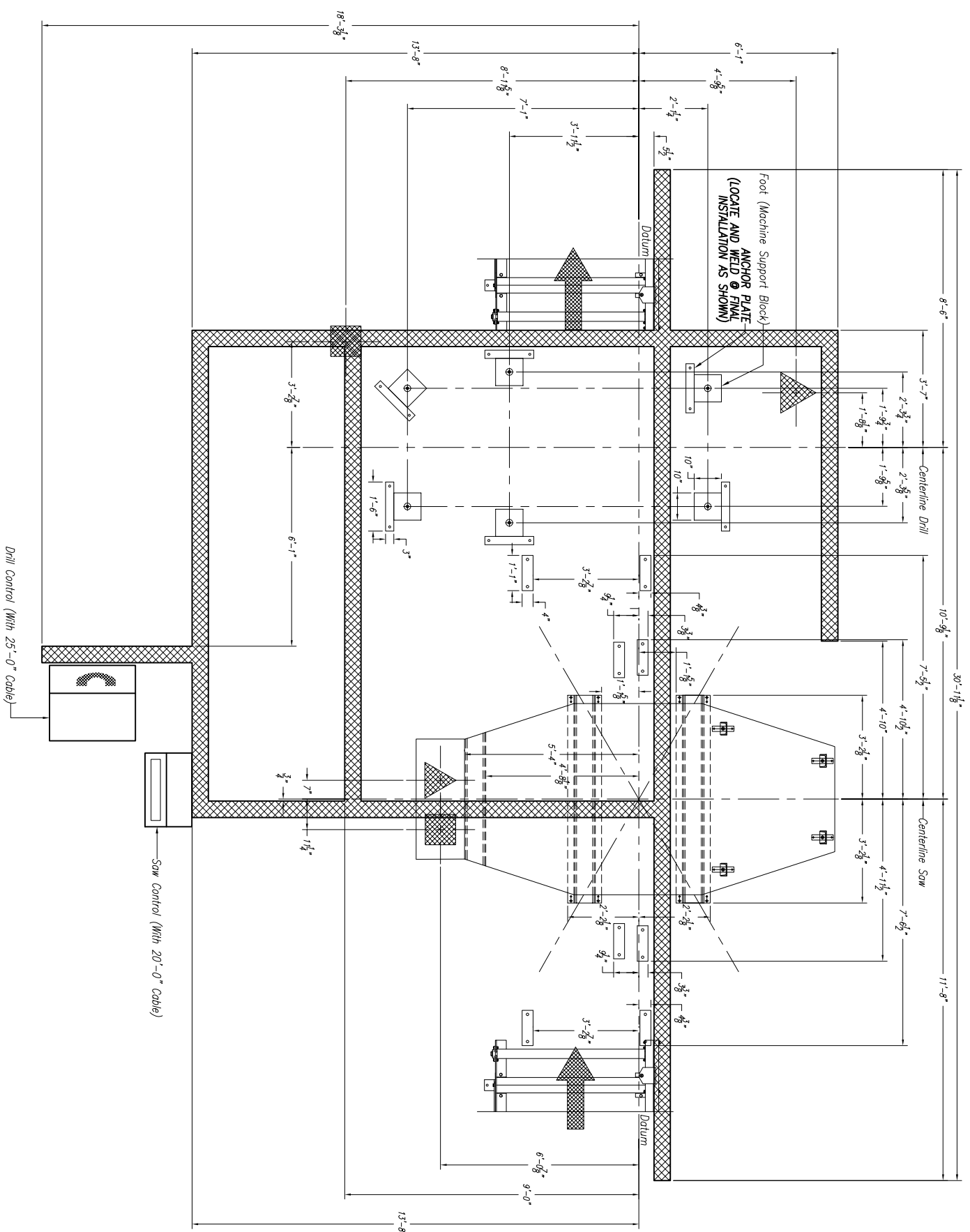
- 1) Passline of Equipment Based on 24.8" from Floorline
- 2) Concrete Under Equipment/Beams & Pits to be a Minimum of 6" Thick
- 3) Primary 460 V., 3 Ph., 60 Hz. [Req'd @ each]
- 4) Total K.V.A. for Equipment = 18 K.V.A. (22.5 Amps)
- 5) Air Requirement: 90 PSIG, 2 SCFM Min. Free Air [Req'd @ each]
- 6) Hydraulic Oil (Mobil DTE #24 Or Equal) [Req'd @ Each] 13.5 Gal. Total
- 7) Anchor Bolts (Control Stand) 1/2" ITW Red Head WS-1270 Or Equal [7 Req'd]
- 8) Anchor Bolts (Mitered Conveyors) 5/8" ITW Red Head WS-5870 Or Equal [16 Req'd]
- 9) Anchor Bolts (Machine) 3/4" ITW Red Head WS-3470 Or Equal [8 Req'd]

PCD 1100/3C Drill Notes:

- 1) Passline of Equipment Based on 24.8" from Floorline
- 2) Concrete Under System to be a Minimum of 6" Thick
- 3) Primary 460 V., 3 Ph., 60 Hz. [Req'd @ each]
- 4) Total K.V.A. for Equipment = 63 K.V.A. (79 Amps)
- 5) Air Requirement 90 PSIG, 60 SCFM Min. Free Air [Req'd @ each]
- 6) Hydraulic Oil (Mobil DTE #24 or Equal) [Req'd @ Each] 120 Gal. Total
- 7) Anchor Bolts (Control Stand) 1/2" ITW Red Head WS-1270 or Equal [4 Req'd]
- 8) Anchor Bolts (Machine & Safety Stands) 3/4" ITW Red Head WS-3470 or Equal [20 Req'd]
- 9) Network/Internet Connection for Data Transfer and Remote Diagnostics [Req'd @ Each]

Peddinghaus Corp.		IMPROVANT Safety Net	
BRADLEY, ILL. U.S.A.		Responsible for the design and full responsibility to prevent access by unauthorized personnel and to provide safe crossing.	
PCD 1100/3C Drill		DRAWN BY: <i>G. Marklin</i>	
& 1100-510 DG for		SCALE: 1/2" = 1" DATE:	
LET.		DRWG. NO.	
REVISION/C.N.#		BY	
DATE		DATE	
THIS PRINT IS THE PROPERTY OF PEDDINGHAUS CORP. AND IS NOT TO BE USED IN ANY MANNER DETRIMENTAL TO THE INTERESTS OF SAID COMPANY.			

!!!NOTE DO NOT DRILL HOLES FOR ANCHOR PLATES UNTIL MACHINE IS IN PLACE AND LEVEL AT FINAL INSTALLATION!!!



Note: Customer To Determine Cable Ducting Arrangement For Main Power & Air Supplies

CABLE DUCT DETAIL

CUSTOMER TO SUPPLY COVER: 1/4" THK. X 7'-1/4" WIDE
 INSTALLED AFTER FINAL FIELD WIRING & PIPING

E					IMPORTANT Safety Note! Because of the difficulty to effectively guard the full length of the system, it is the customer's responsibility to prevent access by unauthorized personnel and to provide safe crossing.
D					
C					
B					
A					
LET.					
Peddinghaus Corp. BRADLEY, ILL. U.S.A. PCD 1100/3C Drill & 1100-510 DG for					DRAWN BY: <i>G. Martin</i> SCALE: 1/2" = 1' DATE:
REVISION/C.N.#					THIS PRINT IS THE PROPERTY OF PEDDINGHAUS CORP. AND IS NOT TO BE USED IN ANY MANNER DETRIMENTAL TO THE INTERESTS OF SAID COMPANY
					DATE
					BY